

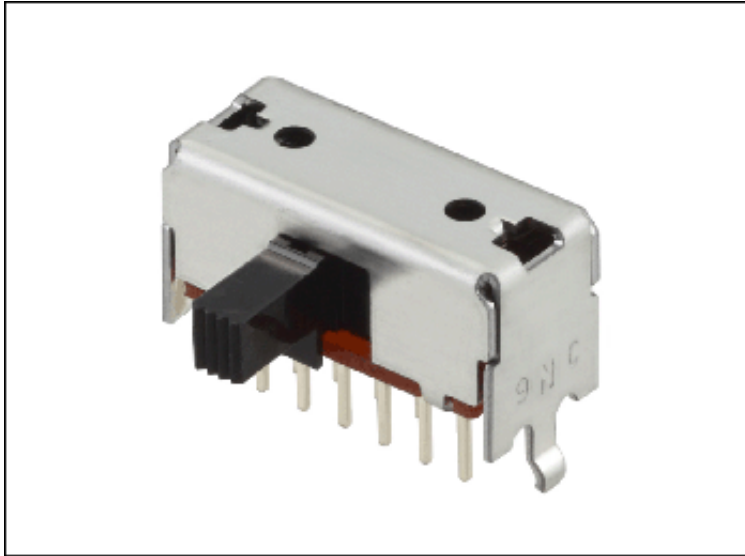


## 8.5(H)mm, 2.0mm-travel Type SSSF Series

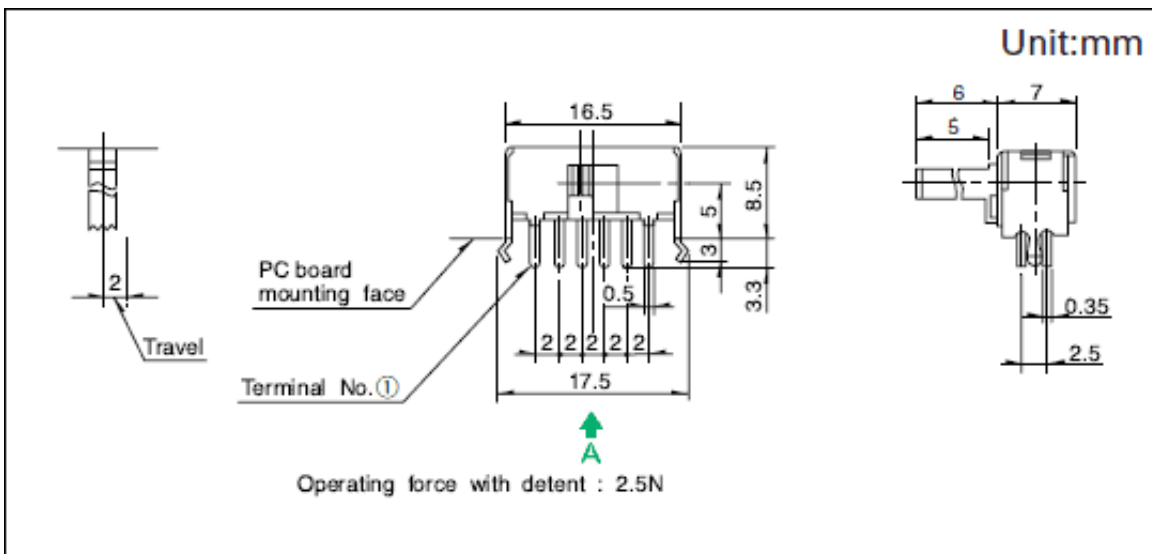
Part number	<b>SSSF141000</b>		
Travel	2mm		
Actuator directions	Horizontal		
Actuator length	6mm		
Poles	4		
Positions	2		
Operating force	Refer to the dimensions.		
Mounting method	Snap-in (t1.6)		
Changeover timing	Non shorting		
Soldering	Manual, Dip		
Operating temperature range	-40°C to +85°C		
Rating (max.)/(min.) (Resistive load)	0.1A 30V DC/10μA 1V DC		
Electrical performance	Contact resistance (Initial performance/After lifetime)	25mΩ max./65mΩ max.	
	Insulation resistance	100MΩ min. 500V DC	
	Voltage proof	500V AC for 1 minute	
Mechanical performance	Terminal strength	5N for 1 minute	
	Actuator strength	Operating direction	30N
		Pulling direction	30N
Durability	Operating life without load	10,000 cycles 45mΩ max.	
	Operating life with load (at max. rated load)	10,000 cycles 65mΩ max.	

Environmental performance	Cold	-40°C 500h
	Dry heat	85°C 500h
	Damp heat	60°C, 90 to 95%RH 500h
Minimum order unit (pcs.)	Japan	100
	Export	4,000

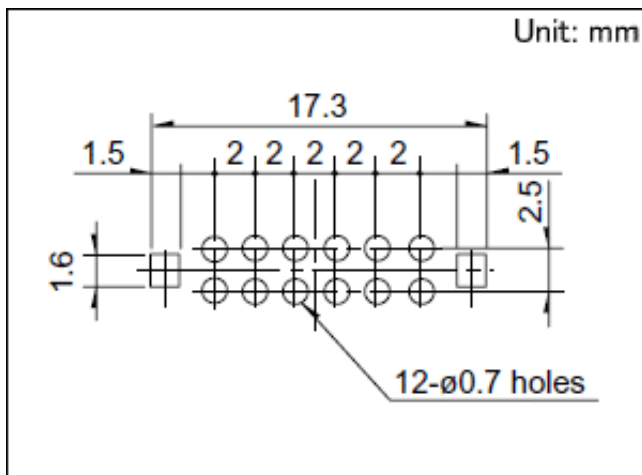
Photo



Dimensions

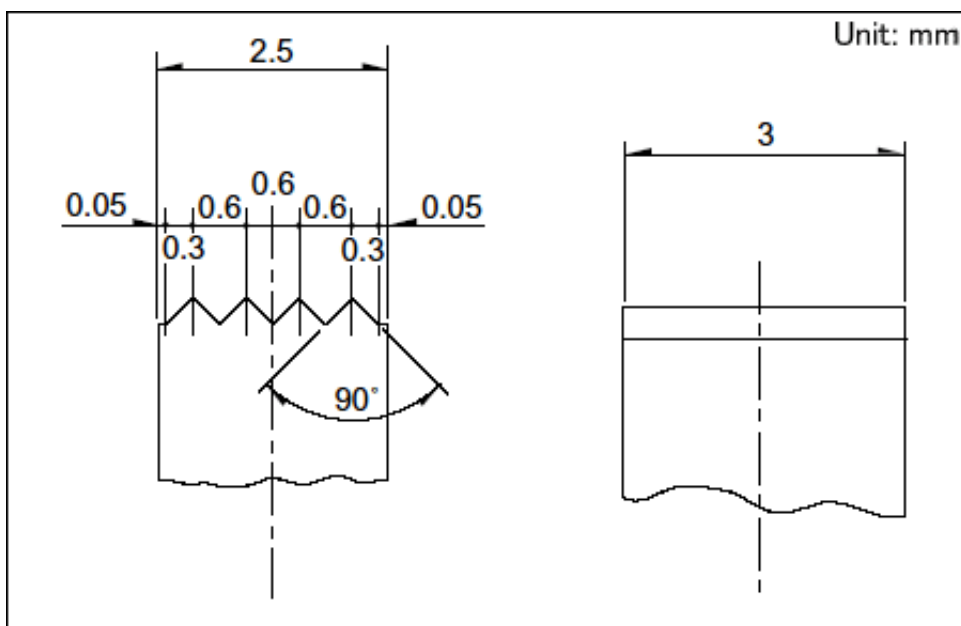


Mounting Hole Dimensions

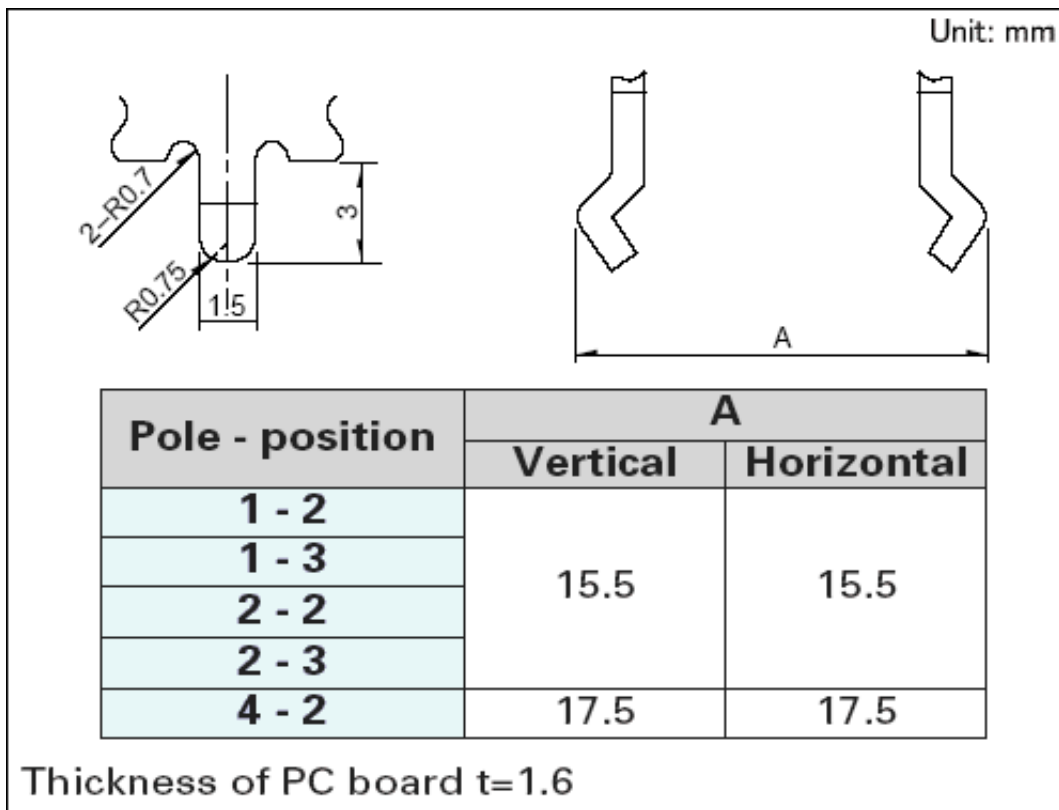


Viewed from direction A in the dimensions.

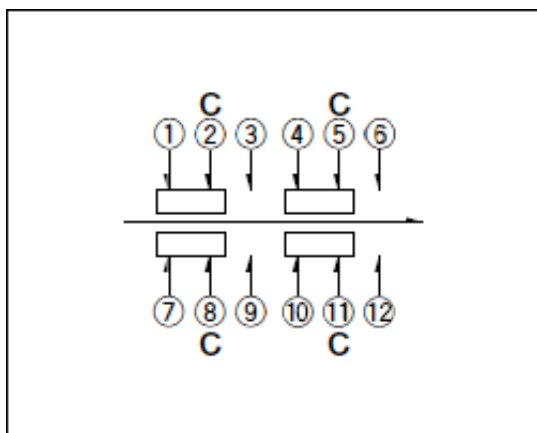
## Actuator Configuration



## Shape of Frame Leg



Circuit Diagram



Packing Specifications

**Bulk**

Number of packages (pcs.)	1 case / Japan	800
	1 case / export packing	4,000
Export package measurements (mm)	400×270×290	

Soldering Conditions

**Reference for Dip Soldering**

Items	Preheating temperature	100°C max.
-------	------------------------	------------

	Preheating time	60°C max.
--	-----------------	-----------

---

Dip soldering	Soldering temperature	260±5°C
---------------	-----------------------	---------

---

	Duration of immersion	10±1s
--	-----------------------	-------

---

### Reference for Hand Soldering

---

Soldering temperature	350±10°C
-----------------------	----------

---

Soldering time	3+1/0s
----------------	--------

---

### Notes are common to this series/models.

1. This site catalog shows only outline specifications. When using the products, please obtain formal specifications for supply.
2. Please place purchase orders per minimum order unit (integer).
3. Products other than those listed in the above chart are also available. Please contact us for details.
4. Please contact us for automotive use products.