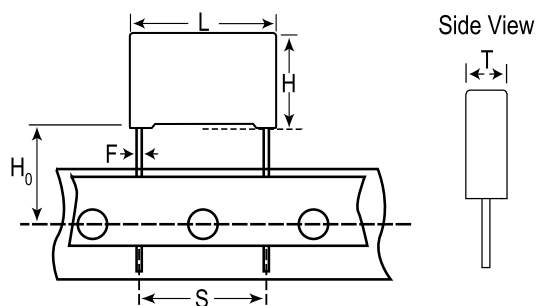


KEMET Part Number: PHE840MY6680MD15R17T1
(F840DM684M275P)

PHE840M/F840, Film, Metallized Polypropylene, Safety, 0.68 uF, 20%, 760 VDC, 275 VAC (X2), 105C, Lead Spacing = 22.5mm



General Information	
Supplier:	KEMET
Series:	PHE840M/F840
Dielectric:	Metallized Polypropylene
Style:	Radial
Features:	EMI Safety
RoHS:	Yes
Lead:	Wire Leads
Qualifications:	ENEC, UL, cUL
AEC-Q200:	No
Notes:	Not For New Design, Please Check Possible Alternative Parts (AltPart)

Dimensions	
L	26mm MAX
H	18.5mm MAX
T	9mm MAX
S	22.5mm +0.6/-0.1mm
H0	17mm NOM
F	0.8mm NOM

Specifications	
Capacitance:	0.68 uF
Capacitance Tolerance:	20%
Voltage DC:	760 VDC
Voltage AC:	275 VAC (X2)
Temperature Range:	-55/+105C
Rated Temperature:	105C
Dissipation Factor:	0.1% 1kHz, 0.4% 10kHz
Insulation Resistance:	14.7059 GOhms
Max dV/dt:	100 V/us
Safety Class:	X2

Packaging Specifications	
Packaging:	T&R, Large
Packaging Quantity:	500