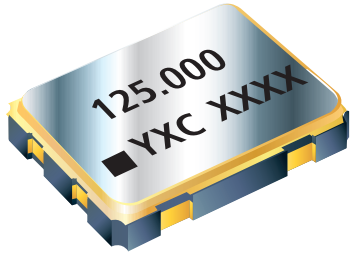


YSO531SR



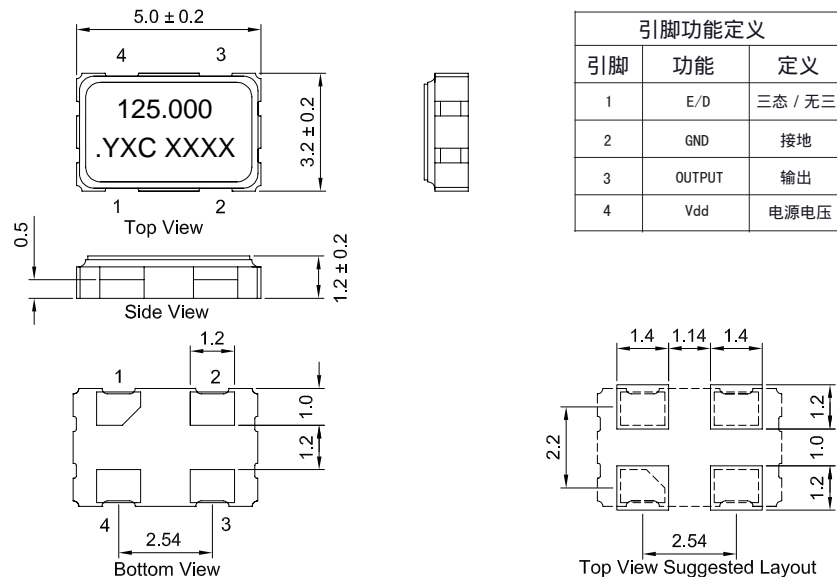
Features

- External dimensions: 5.0 x 3.2 x 1.2 mm.
- Frequency range: 1MHz ~ 200MHz.
- Small SMD seam sealed clock crystal oscillator units.
- High precision characteristic covering up to wide frequency range.
- Designed for automatic mounting and reflow soldering.
- Tri-State function available.
- High stability, low jitter, low power consumption.
- Applications: wireless communication set, PDA, and DSC.

Electrical Specifications

Item / Type	YSO531SR
Output Frequency Range	1 ~ 200 MHz
Output Type	CMOS
Supply Voltage	1.8V/2.5V/3.3V/5V, or specify
Oscillation Mode	Fundamental / 3rd Overtone
Frequency Tolerance	± 20ppm, ± 25ppm, or specify
Output Load	15 pF, or specify
Operating Temperature Range	- 20 ~ + 70 °C , - 40 ~ + 85 °C , or specify
Storage Temperature Range	- 40 ~ + 85 °C , - 55 ~ + 125 °C
Voltage Vol (Max.) / Vol (Min.)	90%Vdd min./10%Vdd max
Symmetry	40 ~ 60 % Standard
Rise (Tr) / Fall (Tf) Time	8 ns Max.
Start-up Time	10 ms Max.
Supply Current	See Below
Frequency Aging (at 25 °C)	± 3 ppm / year Max.

Dimensions



Units: mm

YSO531SR



★ PART NUMBER GUIDE 部件号示例 e.g. O5032125MEE4SC

YSO531SR=5.0×3.2 SMD SEAM TYPE

Quartz Crystal Oscillator	Dimensions	Frequency (Hz)	Supply voltage (V)	Frequency Stability Overall (ppm)	output	Pin	Material	Operating Temp. Range
O	5032	125M	E	E	A	4	S	C

Supply voltage	
A	1.8V
E	3.3V
F	5.0V

Frequency tolerance	
D	±20PPM
E	±25PPM
H	±50PPM

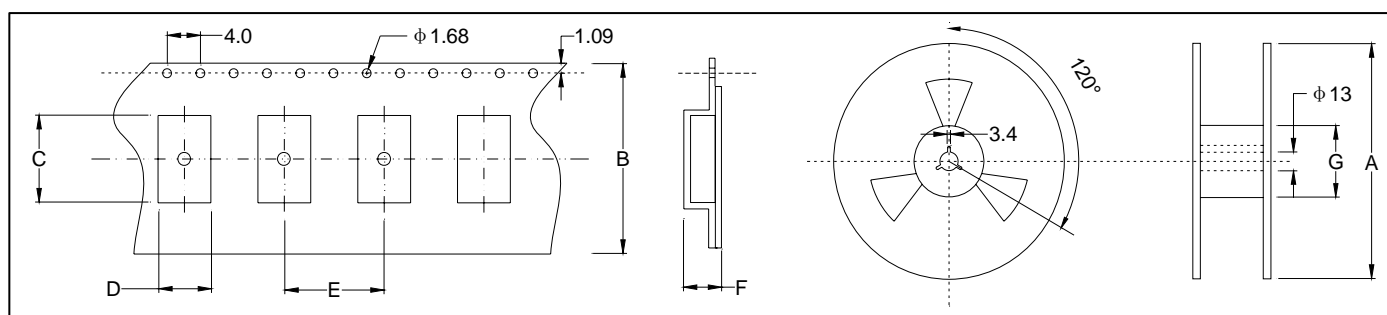
Operating temperature	
C	-20 to 70°C
I	-40 to 85°C

Output	
A	CMOS

★ INPUT CURRENT 工作电流

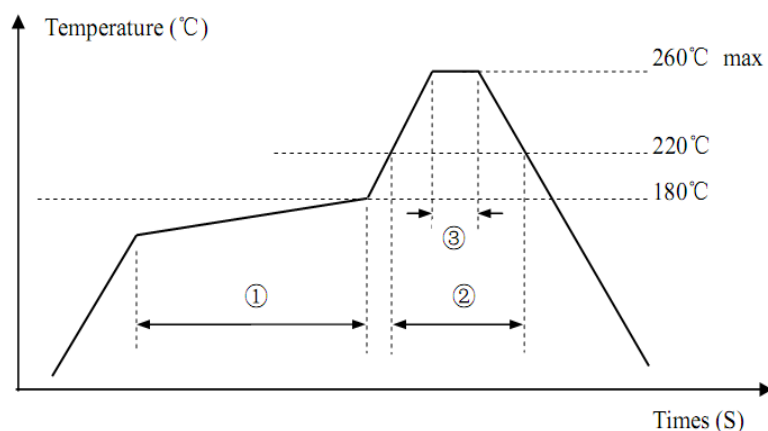
Vdc=5.0V		Vdc=1.8~3.3V	
15pF only		15pF only	
1.0 ~ 35.999 MHz	25 mA max	1.0 ~ 35.999 MHz	20mA max
36.0 ~ 69.999 MHz	60mA max	36.0 ~ 69.999 MHz	40mA max
70.0 ~ 150 MHz	80mA max	70.0 ~ 200 MHz	60mA max

★ TAPING SPECIFICATION (Unit: mm) 编带规格



	A	B	C	D	E	F	G
OSC-SMD5032	178±2.0	12.2±0.3	5.95±0.15	4.20±0.15	7.76±0.1	1.49±0.1	62.5±1.0
1000 pcs per reel							

★ REFLOW SOLDERING PROFILE 回流焊特性



Pb free reflow A	①	Preheat	160~180°C	120sec. max
	②	Primary heat	220°C	60sec. max
	③	Peak	260°C	10sec. max.

★ Test Circuit 测试电路

