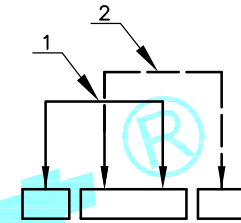
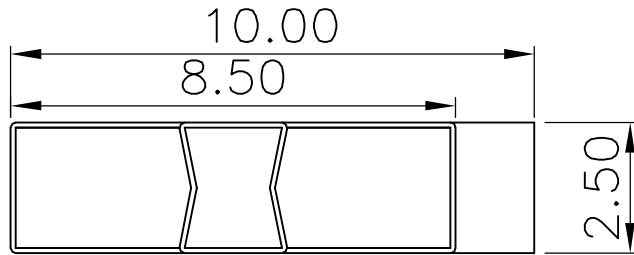
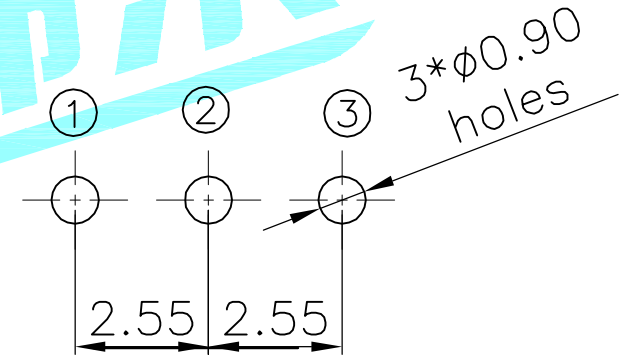
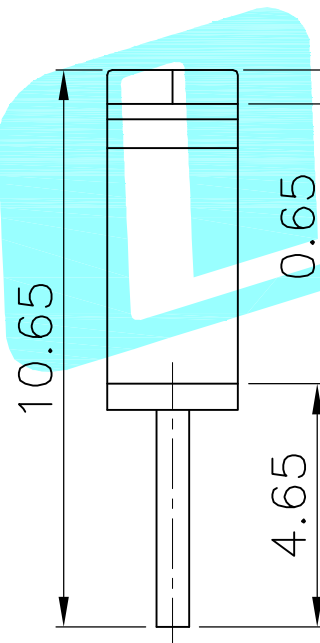
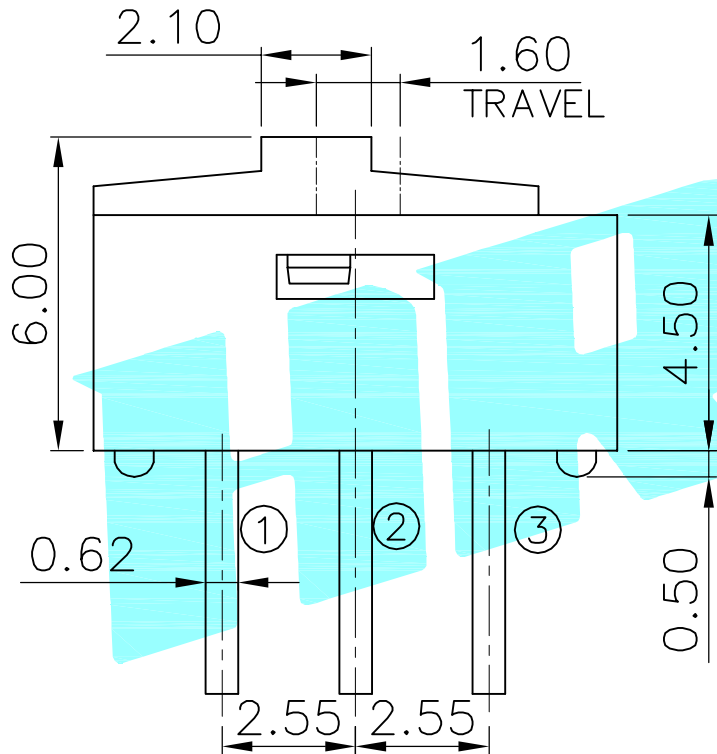


Typical Specifications

1. Rating : 5A120V AC
2. Insulation Resistance:1,000M min
3. Dielectric Strength:1,500V RMS
4. Operating Life : 50,000 cycles



Schematic(Shorting)



P.C.B layout

ITEM	PART NAME	TER'NO.	QTY.	MATERIAL	FINISHING	REMARK
⑤	Spring	—	1	Stainless Steel	Natural	—
④	Contact Clip	—	1	C5210	Ag Clad	—
③	Knob	—	1	PA	RED	—
②	Base	—	1	PA	Gray	—
①	Terminal	—	3	Brass	Au Plated	—

APPROVALS		DATE	 <b>ELECTRONICS CO.,LTD</b>									
DRAWN	JIANKUN.LU	2015.5.25										
CHECKED			TITLE:	SLIDE SWITCHS								
APPROVALS			PART NO.	K3-1204D								
TOLERANCES ARE		<table border="1"> <tr> <td>30~EX.F</td> <td>±0.30</td> <td rowspan="3">ANGLE</td> </tr> <tr> <td>10~30</td> <td>±0.20</td> </tr> <tr> <td>5~10</td> <td>±0.15</td> </tr> </table>	30~EX.F	±0.30	ANGLE	10~30	±0.20	5~10	±0.15	UNIT: mm	SCALE: 1:1	PROJ:
30~EX.F	±0.30	ANGLE										
10~30	±0.20											
5~10	±0.15											
ECN NO.	REV.	DATE.	DRAWING NO.		SHEET 1 OF 1							

ECN NO.	REV.	DATE.	DESCRIPTION.	CHANGE.	CHECK.	APPRO.
	A		NEW			