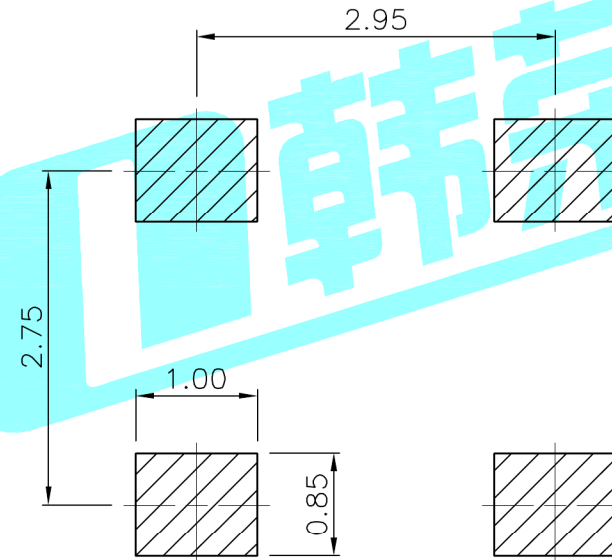
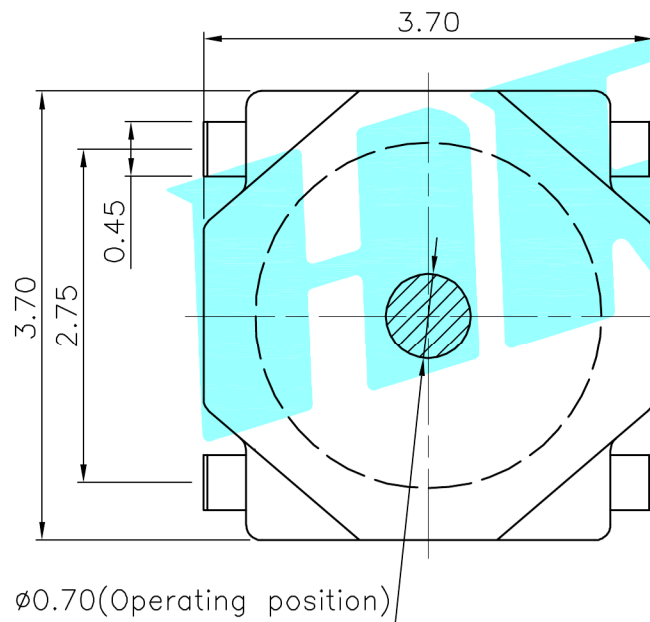


Ⓜ Circuit Diagram



PCB Layout (Pattern Side)

NO.1	
PART NO	vigor
1	90±30
2	130±30
3	180±30
4	250±30
5	350±50

NO.2-NO.3	
PART NO	NOTE
01~99	SERIAL NUMBER

Note:  
Travel:0.25±0.1mm

④	Dust cover	—	1	KAPTON FILM	Yellow	—
③	Terminal	—	4	Phosphor Bronze	Plating silver	—
②	Contact	—	1	F.Ag/SUS	Plating silver	—
①	Base	—	1	LCP	Black	—
ITEM	PART NAME	TER'NO.	QTY.	MATERIAL	FINISHING	REMARK

APPROVALS		DATE	HRO 韓泰 ELECTRONICS CO.,LTD			
DRAWN	J.X.Zhang	2013/7/17	TITLE:	TACT SWITCHS		
CHECKED			PART NO.	K2-1832UR-A□SW-□□		
APPROVALS			TOLERANCES ARE	30~以下 ±0.30 10~30 ±0.20 5~10 ±0.15 ~ 5 ±0.10	ANGLE	UNIT: mm SCALE: 1:1 PROJ:
			DRAWING NO.	SHEET 1 OF 1		

ECN NO.	REV.	DATE.	DESCRIPTION.	CHANGE.	CHECK.	APPRO.
	A		NEW			