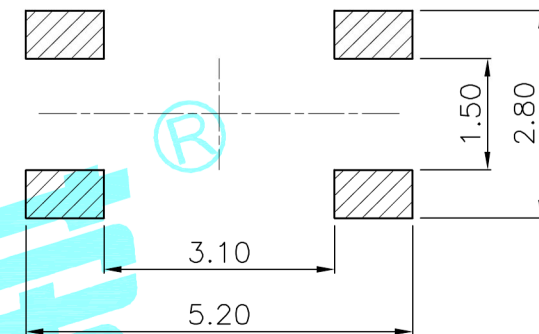
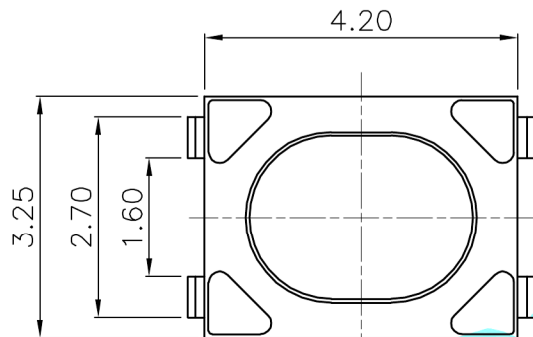
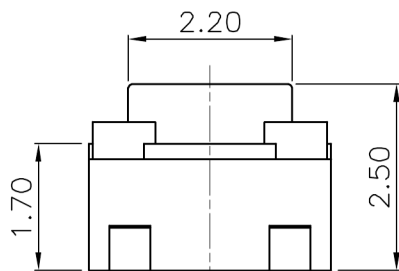
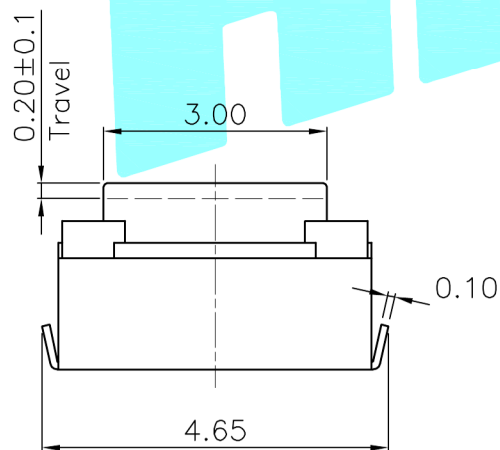
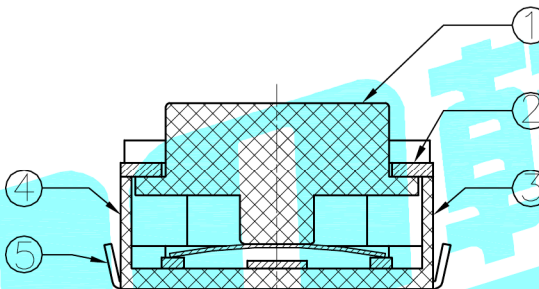


Circuit diagram



PCB Layout(Pattern Side)



NO.1	
PART NO	VIGOR
1	90±30
3	180±30
4	250±30

NO.2	
PART NO	MATERIAL/QTY
S	SUS/1PC
D	SUS/2PCS

NO.3-NO.4	
PART NO	NOTE
01~99	SERIAL NUMBER

ITEM	PART NAME	TER'NO.	QTY.	MATERIAL	FINISHING	REMARK
⑤	Terminal	—	4	Phosphor Bronze	Plating silver	—
④	Contact	—	1	F.Ag/SUS	Plating silver	—
③	Base	—	1	LCP	White	—
②	Cover	—	1	SUS	Natural	—
①	Keystoke	—	1	LCP	White	—

APPROVALS		DATE	HRO 翰泰 ELECTRONICS CO.,LTD		
DRAWN	J.X.Zhang	2013/6/24	TITLE:	TACT SWITCHS	
CHECKED			PART NO.	K2-1808UN-A□□W-□□	
APPROVALS			UNIT: mm	SCALE: 1:1	PROJ:
TOLERANCES ARE		30~以下: ±0.30	ANGLE	DRAWING NO.	SHEET 1 OF 1
		10~30: ±0.20	±2'		
		5~10: ±0.15			
		~ 5: ±0.10			

ECN NO.	REV.	DATE.	DESCRIPTION.	CHANGE.	CHECK.	APPRO.
	A		NEW			