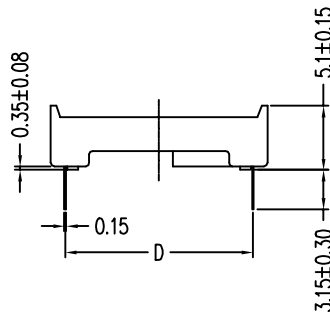
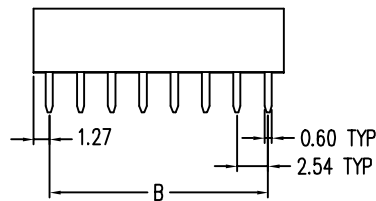
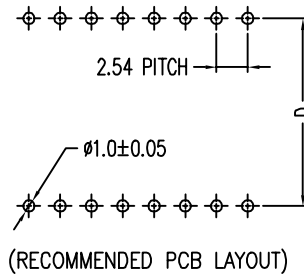
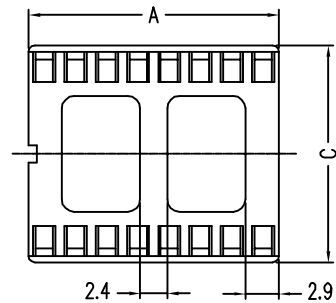


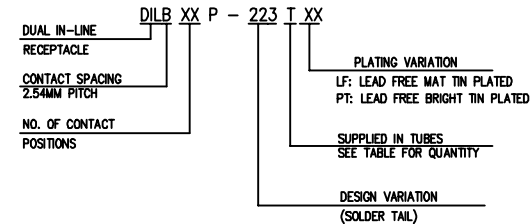
CATALOG NO	NO. OF CONTACTS	TABLE OF DIMENSIONS			
		A±0.30	B±0.25	C±0.30	D±0.20
DILB8P-223TXX	8P	10.16	7.62	10.16	7.62
DILB14P-223TXX	14P	17.78	15.24		
DILB16P-223TXX	16P	20.32	17.78		
DILB18P-223TXX	18P	22.86	20.32		
DILB20P-223TXX	20P	25.40	22.86	17.78	15.24
DILB24P-224TXX	24P	30.48	27.94		
DILB24P-223TXX	24P	30.48	27.94		
DILB28P-223TXX	28P	35.56	33.02		
DILB32P-223TXX	32P	40.64	38.10		
DILB40P-223TXX	40P	50.80	48.26		
DILB42P-223TXX	42P	53.34	50.80		



**NOTES**

- MATERIALS**  
HOUSING: POLYAMIDE, UL94V-0 COLOR IN BLACK.  
CONTACT: COPPER ALLOY.
- FINISH**  
100u" MIN. MATTE OR BRIGHT TIN OVER 50u" MIN. NICKEL.
- PERFORMANCE CHARACTERISTICS**
  - OPERATING VOLTAGE: 200VAC;
  - CONTACT RESISTANCE: 30 MILLOHMS MAX. AT 6 VDC;
  - CURRENT RATING: 1 AMP. MAX.;
  - OPERING TEMPERATURE: CONTINUOUS, -55°C TO 105°C;
  - INSULATION RESISTANCE: 1000 MEGOHMS MIN AT 500 VDC;
  - DIELECTRIC WITHSTANDING VOLTAGE: 1000 VAC RMS MIN.;
  - DURABILITY: NO ELECTRICAL DEGRADATION AFTER 25 CYCLES;
  - THERMAL SHOCK: NO PHYSICAL OR ELECTRICAL DEGRADATION PER MIN-STD-1344, METHOD 1003, COND A;
  - MOISTURE RESISTANCE: 300 MEGOHMS MIN PER MIL-STD-202, METHOD 106. OMIT STEPS 7a AND 7b;
  - VIBRATION: NO ELECTRICAL INTERRUPTION GREATER THAN 1 MICROSECOND PER MIL-STD-1344. METHOD 2005 COND III;
  - MECHANICAL SHOCK: NO ELECTRICAL INTERRUPTION GREATER THAN 1 MICROSECOND WHEN 17.64 oz (500g) IS APPLIED FOR 0.75 MILLISECDS;
  - FLAMABILITY: UL94 V-0;
  - INSERTION FORCE 340.2g /CONTACT MAX.;  
WITHDRAWAL FORCE: 14.5g/CONTACT MIN.;

**ODERING INFORMATION**



4. DILBXXP-223TLF: THE HOUSING WILL WITHSTAND EXPOSURE TO 260° PER PERK TEMPERATURE FOR 10 SECONDS IN A WAVE SOLDER APPLICAITON.

mat'l. code				tolerances unless otherwise specified			CUSTOMER COPY						
ltr	ecn no	dr	date	linear	.X ± 0.3			projection	title DILB ASSEMBLY				
A	T05-0016	W.L	1/24/05		.XX ± 0.2								
B	T06-0053	J.H	3/28/06		.XXX ± 0.05								
C	T06-0068	J.H	7/7/06	angles	0° ± 2°			MM	product family		EDGE CARD		code
				dr	WADE LIU	01/05/05	scale		A4	10052485	1 of 2		
				engr	WADE LIU	01/05/05							
				chr	WADE LIU	01/05/05							
				appd	STERLING LIN	01/08/05	1:1						
sheet index	revision sheet	C	C										
		1	2										