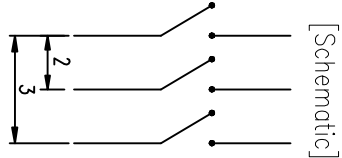
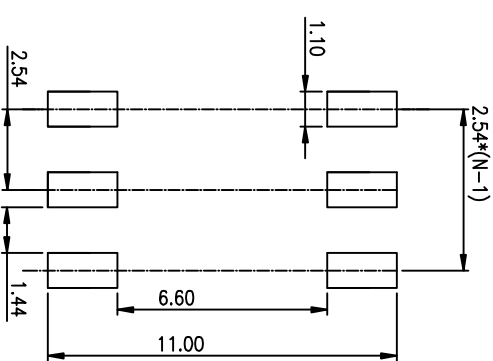
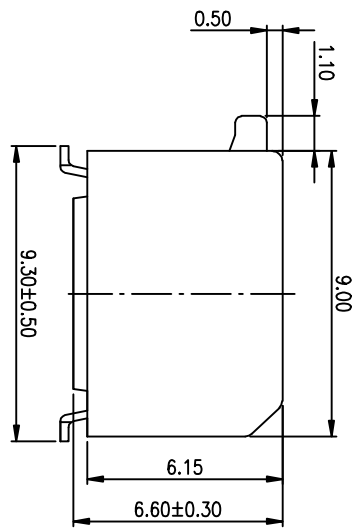
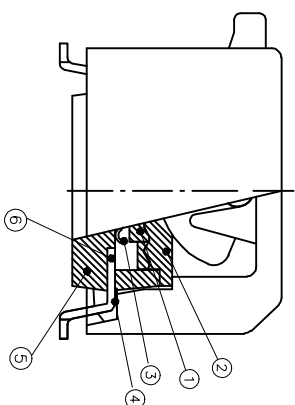
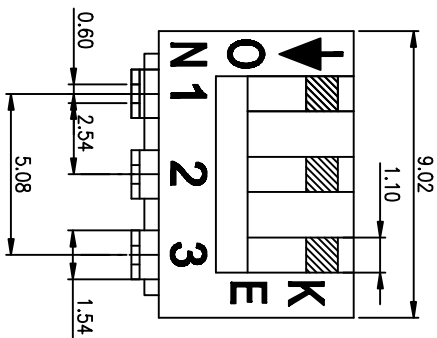


PRODUCT NO.	DSPV03LSGET
RoHS compliant	



NOTES :

- 1.Specification:
- 1>.Operating force:1000gf Max
- 2>.Operating Temperature: -40° to+85°
- 3>.Storage Temperature: -40° to+85°
- 4>.Mechanical Life: 3000cycles minimum
2. PLATING:
GOLD FLASH 1u"(min.) SOLDER TAIL,
3u" GOLD PLATING ON THE CONTACT AREA,
WITH 50u" NICKEL UNDERPLATINGOVERALL.
3. CONTACT RATING:
1.SWITCHING: 25mA at 24ADC
2.NON-SWITCHING: 100mA at 50VDC
WITH 50u" NICKEL UNDERPLATINGOVERALL.
4. PART NUMBER DESCRIPTION :

DS XX I S G E T
 [Packing:T=Tube R=Reel]
 [Finish:E=3u" Gold-plated F=10u" Gold-plated]
 [Finish:G=Full Gold S=Contact-Gold-plated]
 [Terminal:S=SMD type H=Straight.....]
 [Actuator:T=Tape sealed S=Low profile W/O Tape L=Extension]
 [HP=Half-Pitch IC=IC type PV=Plano type]

RECOMMENDED P.C.B. LAYOUT (TOP VIEW)

Number	Part Name	Material	Finished
①	Actuator	UL94 V0	White
②	Cover	UL94 V0	Black
③	Movable	Copper Alloy	3u" Gold
④	Terminal	Brass	1u" Gold
⑤	Base	UL94 V0	Black
⑥	Terminal Contact	Brass	3u" Gold

TOLERANCE UNLESS OTHERWISE SPECIFIED		INSPECTION	
LINER	ANGLES	COPY	PROJECTION
0 ± 0.25	0 ± 2'		
.00 ± 0.15	.0 ± 1'		
.000± 0.10	.00± 0.5'		
DESIGN	kathy	2013/01/12	
DRAWING			
CHECK			
APPRO.			

Dongguan Kingtek Industrial Co., Ltd			
BY DSPV SERIES PITCH 2.54mm			
PRODUCT FAMILY DSPV SERIES			
PRAT NO. DSPV03LSGET			
FILE NO.	DSPV03LSGET-A	SHEET	REV.
SIZE	UNIT	SCALE	SHEET
A4	mm	2 : 1	TOP-1 A

REV.	ECN NO.	DR	DATE