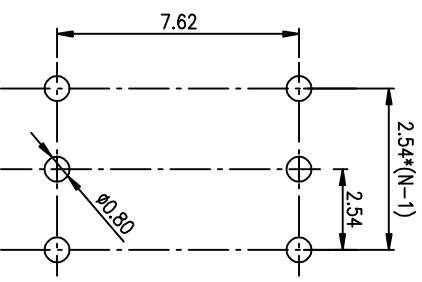
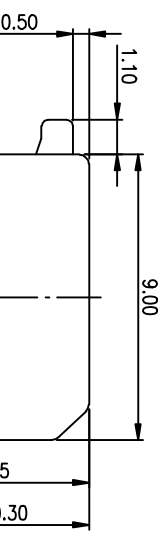
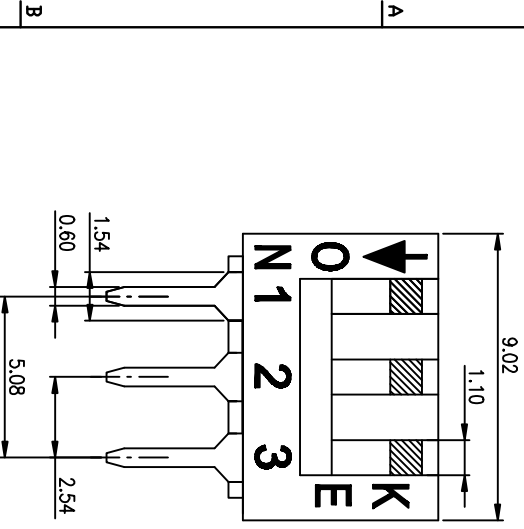
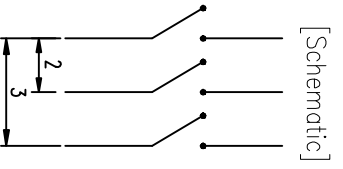


PRODUCT NO.	DSPV03LHGCT
RoHS compliant	



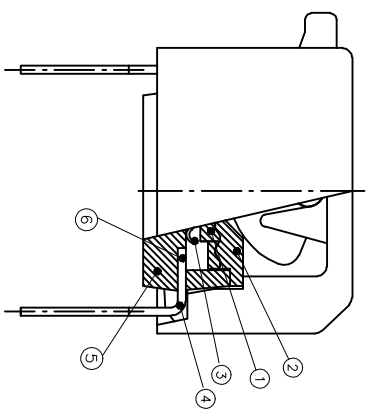
RECOMMENDED PCB LAYOUT (TOP VIEW)



4. PART NUMBER DESCRIPTION :

- CONTACT RATING:
 - SWITCHING: 25mA at 24ADC
 - NON-SWITCHING: 100mA at 50VDC WITH 50u" NICKEL UNDERPLATINGOVERALL.
- PLATING:
 - GOLD FLASH 1u"(min.) SOLDERTALL, 3u" GOLD PLATING ON THE CONTACT AREA, WITH 50u" NICKEL UNDERPLATINGOVERALL.
- Mechanical Life: 3000cycles minimum
- Operating force: 1000gf Max
- Operating Temperature: -40° to+85°
- Storage Temperature: -40° to+85°

DS XX I S G E T
 [Packing: T=Tube R=Reel]
 [Finish: F=3u" Gold-plated R=10u" Gold-plated]
 [Finish: G=Full Gold S=Contact-Gold-plated]
 [Terminal: S=SMD type H=Straight.....]
 [Actuator: T=Tape sealed S=Low profile W/O Tape L=Extension]
 [HP=Half-Pitch IC=IC type PV=Plano type]



Number	Part Name	Material	Finished
①	Actuator	UL94 V0	White
②	Cover	UL94 V0	Black
③	Movable	Copper Alloy	3u" Gold
④	Terminal	Brass	1u" Gold
⑤	Base	UL94 V0	Black
⑥	Terminal Contact	Brass	3u" Gold

TOLERANCE UNLESS OTHERWISE SPECIFIED		INSPECTION	
LINER	ANGLES	COPY	PROJECTION
0 ± 0.25	0 ± 2'		
.00 ± 0.15	.0 ± 1'		
.000 ± 0.10	.00 ± 0.5'		
DESIGN	kathy	2013/01/12	
DRAWING			
CHECK			
APPRO.			

Dongguan Kingtek Industrial Co., Ltd			
BY DSPV SERIES PITCH 2.54mm			
PRODUCT FAMILY DSPV SERIES			
PRAT NO. DSPV03LHGCT			
FILE NO.	DSPV03LHGCT-A	SHEET	REV.
SIZE	UNIT	SCALE	SHEET
A4	mm	2 : 1	1 OF 1

REV.	ECN NO.	DR	DATE