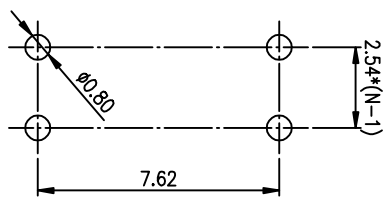
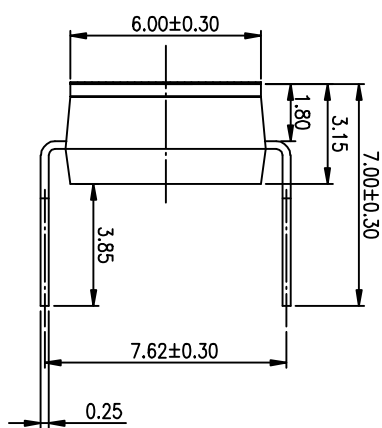
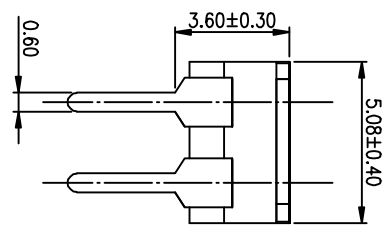
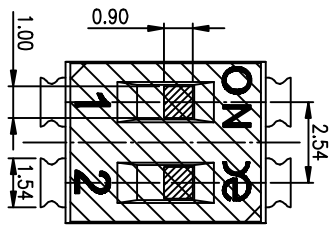
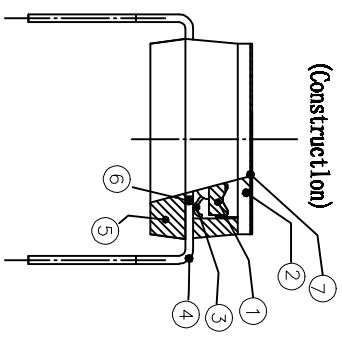


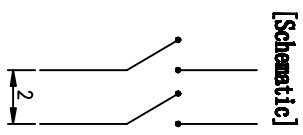
PRODUCT NO.	DSIC02THGET
RoHS compliant	



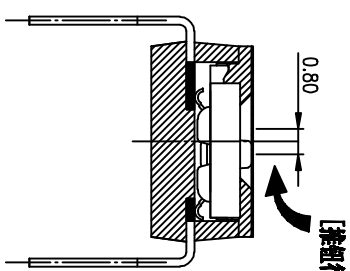
(Construction)



RECOMMENDED P.C.B. LAYOUT (TOP VIEW)



[Schematic]



[推組行程]

NOTES :

- 1> Specification:
 1> Operating force: 1000gf Max
 2> Operating Temperature: -40° to +85°
 3> Storage Temperature: -40° to +85°
 4> Mechanical Life: 3000cycles minimum
 5> Electrical Life: 2000cycles 25mA 24VDC
2. PLATING:
 GOLD FLASH 1u"(min.) SOLDER TAIL,
 3u" GOLD PLATING ON THE CONTACT AREA,
 WITH 50u" NICKEL UNDERPLATING OVERALL.

3. PART NUMBER DESCRIPTION

DSIC XX I H G E T
 [包裝方式: T=管裝 R=盒裝]
 [電鍍層: B=鍍鎳3u" G=鍍鎳3u"/鍍鎳3u"-2u"]
 [G=鍍金 S=內金少層]
 [腳型: S脚 / J脚 / 環脚 / A脚 / Z脚]
 [T=低推組度 S=低推不組度 L=長推]
 [產品碼: 01=1P 02=2P 03=3P 12=12P]

Number	Part Name	Material	Finished
①	Actuator	UL94 VO	White
②	Cover	UL94 VO	Black
③	Movable	Copper Alloy	3u"Gold
④	Terminal	Brass	1u"Gold
⑤	Base	UL94 VO	Black
⑥	Terminal Contact	Brass	3u"Gold
⑦	Mylar	UL94 VO	0.05mm

TOLERANCE UNLESS OTHERWISE SPECIFIED		INSPECTION COPY	
LINER	ANGLES	PROJECTION	COPY
0 ± 0.25	0 ± 2'		
.00 ± 0.15	.0 ± 1'		
.000 ± 0.10	.00 ± 0.5'	DESIGN	2012/04/12
DRAWING		PRAT NO.	DSIC02THGET
CHECK		FILE NO.	DSIC02THGET-A
APPRO.		SIZE	UNIT SCALE SHEET REV.
		A4	mm 2 : 1 1 OF 1 A

東莞市廣業有限公司
 Dongguan Kingtek Industrial Co., Ltd.

BY DSIC SERIES PITCH 2.54mm
 PRODUCT FAMILY DSIC SERIES