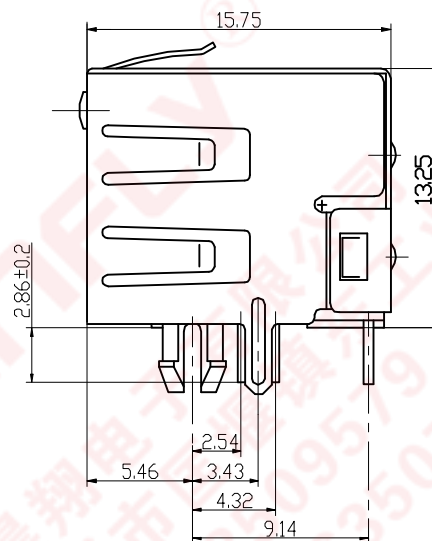
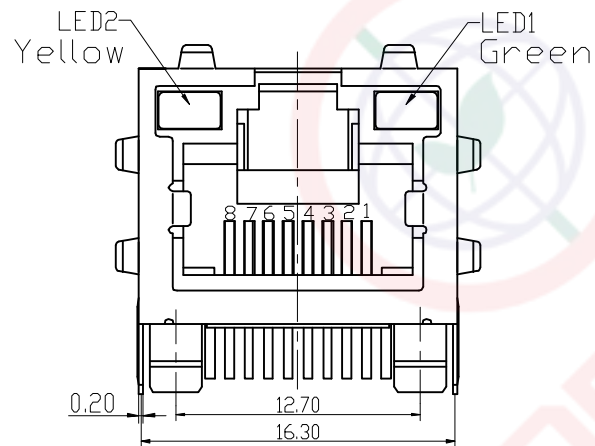


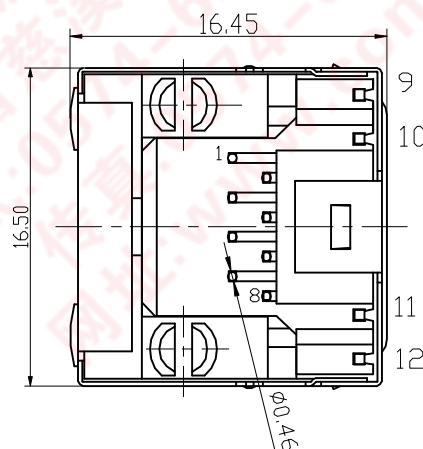
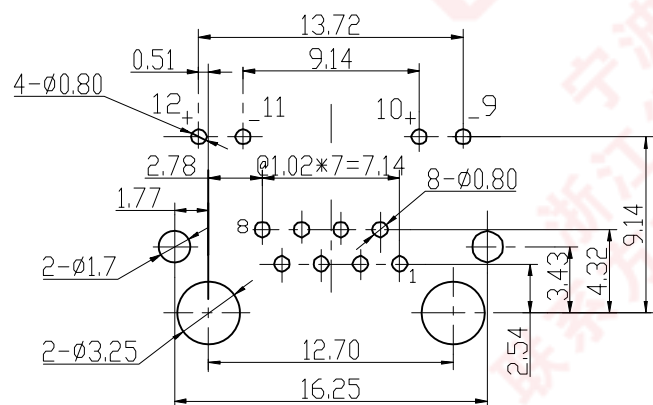
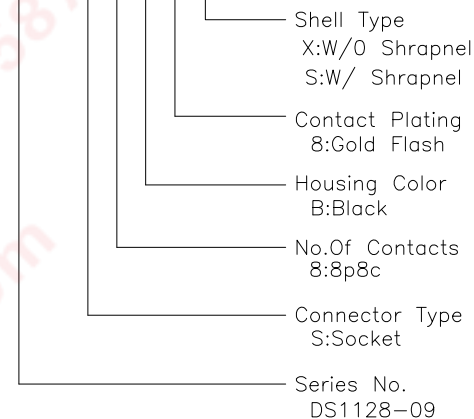
REV.	DESCRIPTION	DRAWN	CHECKED	APPROVED
A	NEW RELEASE	JLZ 10/28/16'		



SPECIFICATION

1. Insulation Resistance:1000MΩ Min.
2. Withstand Voltage:500V,AC/Minute.
3. Durability:600 Cycles Min.
4. Product Number Code:

DS1128-09-X X X X X



GENERAL TOLERANCE		ANGLE TOLERANCE	
X.	±0.60	X.	±5°
.X	±0.38	.X	±3°
.XX	±0.25	.XX	±2°

DRAWING TYPE	CUSTOMER		
SCALE	1:1	SHEET	1 OF 1
DRAWING NO.	C-DS1128-09-XXXXX-A		

PROJECTION		TITLE	PCB JACK 8P 1PORT WITH LED
UNITS	mm	SHEET	1 OF 1
SHEET SIZE	A4	SERIES	DS1128-09 SERIES

晨翔电子有限公司
CONNFLY CONNFLY ELECTRONIC CO. LTD