



Aluminum Electrolytic Capacitors

Snap-in capacitors

Series/Type:	B43252
Ordering code:	B43252S5827M001
Date:	March 29, 2013
Version:	1

105 °C/ 2000 h

EPCOS Part No.:

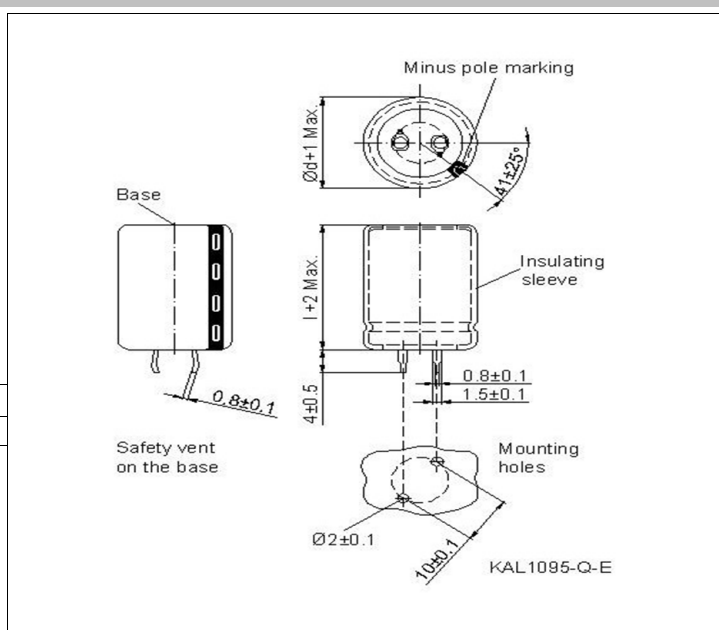
B43252S5827M001

Development code:

Customer:

Dimensions (mm)

d+1	l±2	Terminals
35	65	Snap-in


Technical data

Rated capacitance	C_R	120 Hz, 20 °C	820 μ F				
Capacitance tolerance			± 20 %				
Rated voltage	V_R		450 V				
Surge voltage	V_S		495 V				
Operating temperature range			-25 °C...105 °C				
Maximum leakage current	I_{leak}	5 min, 20 °C	1500 μ A				
Max. tan δ		120 Hz, 20 °C	0.2				
Rated ripple current	$I_{AC,R}$	120 Hz, 105 °C	2500 mA				
Useful life	105 °C, V_R , $I_{AC,R}$		2000 h	After test: $ \Delta C/C \leq 20\%$ of initial value $\tan \delta \leq 2 \times$ initial spec. limit $I_{leak} \leq$ initial spec. limit			
Frequency multiplier for $I_{AC,R}$			50 Hz	120 Hz	1k Hz	10 kHz	20 kHz~
			0.90	1.00	1.20	1.50	1.55
Temperature multiplier for $I_{AC,R}$			+40 °C	+55 °C	+70 °C	+85 °C	+105 °C
			2.7	2.5	2.1	1.7	1.0
Other specifications	IEC 60384-4, Data book Alu-X 2013, RoHS-compatible						

 Cautions and warnings: see Data Book 2011 or www.epcos.com



Important notes

The following applies to all products named in this publication:

1. Some parts of this publication contain **statements about the suitability of our products for certain areas of application**. These statements are based on our knowledge of typical requirements that are often placed on our products in the areas of application concerned. We nevertheless expressly point out **that such statements cannot be regarded as binding statements about the suitability of our products for a particular customer application**. As a rule, EPCOS is either unfamiliar with individual customer applications or less familiar with them than the customers themselves. For these reasons, it is always ultimately incumbent on the customer to check and decide whether an EPCOS product with the properties described in the product specification is suitable for use in a particular customer application.
2. We also point out that **in individual cases, a malfunction of electronic components or failure before the end of their usual service life cannot be completely ruled out in the current state of the art, even if they are operated as specified**. In customer applications requiring a very high level of operational safety and especially in customer applications in which the malfunction or failure of an electronic component could endanger human life or health (e.g. in accident prevention or life-saving systems), it must therefore be ensured by means of suitable design of the customer application or other action taken by the customer (e.g. installation of protective circuitry or redundancy) that no injury or damage is sustained by third parties in the event of malfunction or failure of an electronic component.
3. **The warnings, cautions and product-specific notes must be observed.**
4. In order to satisfy certain technical requirements, **some of the products described in this publication may contain substances subject to restrictions in certain jurisdictions (e.g. because they are classed as hazardous)**. Useful information on this will be found in our Material Data Sheets on the Internet (www.epcos.com/material). Should you have any more detailed questions, please contact our sales offices.
5. We constantly strive to improve our products. Consequently, **the products described in this publication may change from time to time**. The same is true of the corresponding product specifications. Please check therefore to what extent product descriptions and specifications contained in this publication are still applicable before or when you place an order. We also **reserve the right to discontinue production and delivery of products**. Consequently, we cannot guarantee that all products named in this publication will always be available. The aforementioned does not apply in the case of individual agreements deviating from the foregoing for customer-specific products.
6. Unless otherwise agreed in individual contracts, **all orders are subject to the current version of the "General Terms of Delivery for Products and Services in the Electrical Industry" published by the German Electrical and Electronics Industry Association (ZVEI)**.
7. The trade names EPCOS, BAOKE, Alu-X, CeraDiode, CSMP, CSSP, CTVS, DeltaCap, DigiSiMic, DSSP, FormFit, MiniBlue, MiniCell, MKD, MKK, MLSC, MotorCap, PCC, PhaseCap, PhaseCube, PhaseMod, PhiCap, SIFERRIT, SIFI, SIKOREL, SilverCap, SIMDAD, SiMic, SIMID, SineFormer, SIOV, SIP5D, SIP5K, ThermoFuse, WindCap are **trademarks registered or pending** in Europe and in other countries. Further information will be found on the Internet at www.epcos.com/trademarks.