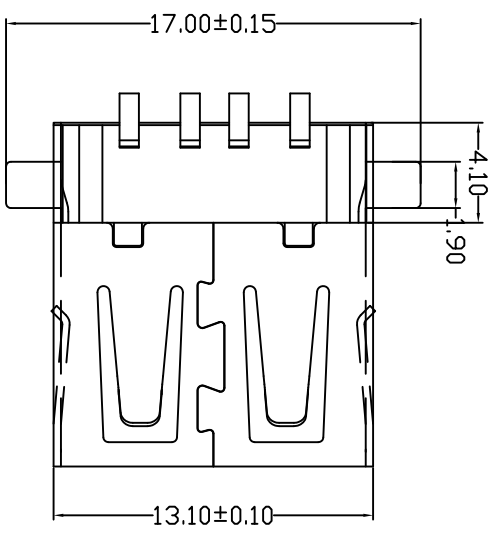
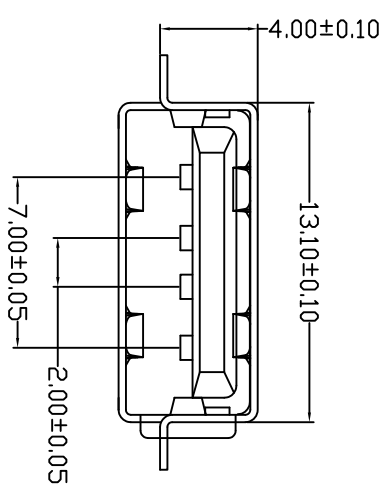
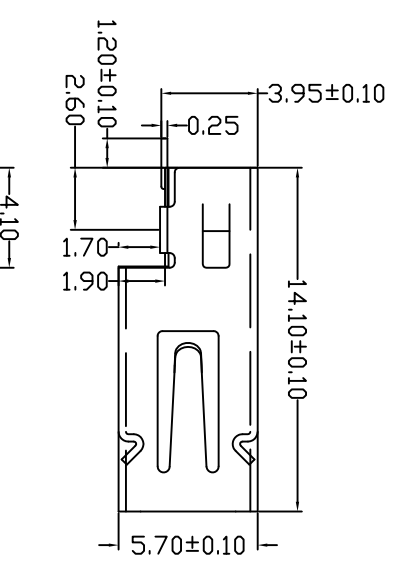


| | | |
|------------|----------------------|------------|
| 目錄 MAPX | 變更內容 MODIFICATION | 日期 DATE |
|------------|----------------------|------------|



NOTES:

Housing: Thermoplastics, UL94V-0

Contact: Copper Alloy

Shell: Copper Alloy/Steel

Voltage Current Rating: 1.5 AMP, 30V AC

Insulation Resistance: 1000MΩ Min.

Contact Resistance: 30 MΩ Max.

Dielectric Withstanding Voltage: 500W AC

Temperature Range: -35°C to +85°C

Insulator color: Black/White

Plastic material: PBT/LCP/Others

Shell finish: Nickel plated/Tin-Lead plated

Mechanical:

Mating Force: 3.5KG MAX

Umating Force: 0.7 KG MIN.

Contact finish:

01: Selective Gold Flash

02: Selective Gold 3U”

03: Selective Gold 5U”

04: Selective Gold 15U”

05: Selective Gold 30U”

备注：侧弹分为外弹与内弹

产品图
PRODUCT CHART DWG

| | | | | | | | |
|-------------------------------------|-------|-------------|-------|---------------|------------|--------------------------|--------------------|
| 公差一览表 TOLERANCE UNLESS OTHERWISE | | 单位 UNITS | MM | 制图 DRAWING | Z-Y-B | 产品料号 PRODUCT PART NO. | JTJ-USB-AF-15 |
| X | ±0.25 | X' | ±5' | 比例 SCALE | 1:1 | 产品名称 PRODUCT NAME | USB-AF沉板无边内弹 (SMT) |
| XX | ±0.15 | XX' | ±2' | 日期 DATE | 2013.07.19 | 审核 CHECK | |
| .XXX | ±0.10 | .XXX' | ±0.5' | 核准 APPRO | | 雷永键 | 版本 VER |
| | | | | | | | A0 |