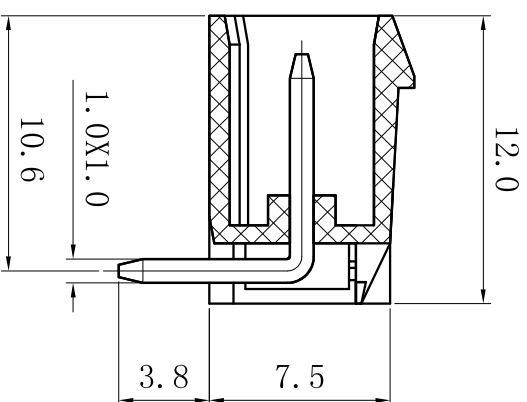
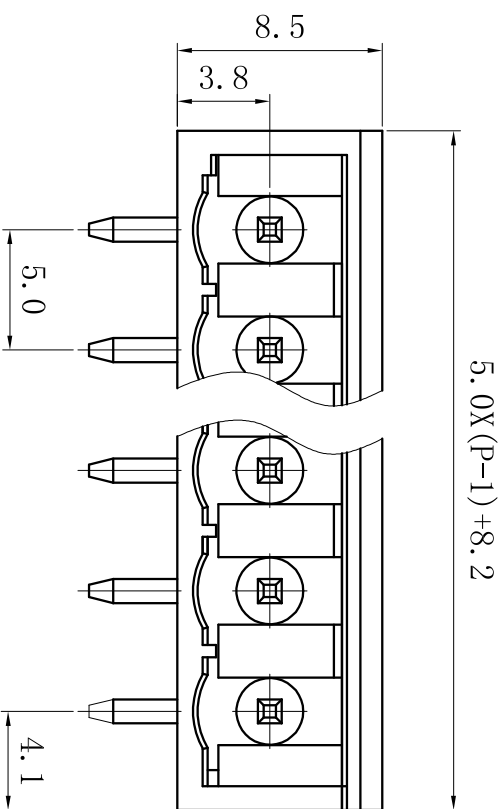




宁波速普电子有限公司
NINGBO SUPU ELECTRONICS.CO.,LTD

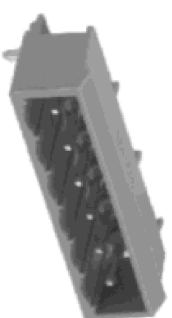


(P为通道数, P=Poles)

Technical Parameter	IEC	UL
Rated voltage	V	250
Rated current	A	12
Rated impulse withstand voltage	KV	4
Flammability rating	UL94 V-0	
Insulating material	Nylon	
Current carrier material	Copper	
Plated	Tin plated	

Order Info

PART NUMBER	NO.	QF POS	COLOR
450302	2		
450303	3		
450304	4		
450305	5		Gray
450306	6		
...	...		
450324	24		




宁波速普电子有限公司
NINGBO SUPU ELECTRONICS.CO.,LTD

DWG.	Zhang	2015.6.1	Rev.	01	4503XX series 2-24 Poles right angle pin
CHK.			Sheet	1 of 1	
APP.			Dimension	mm	