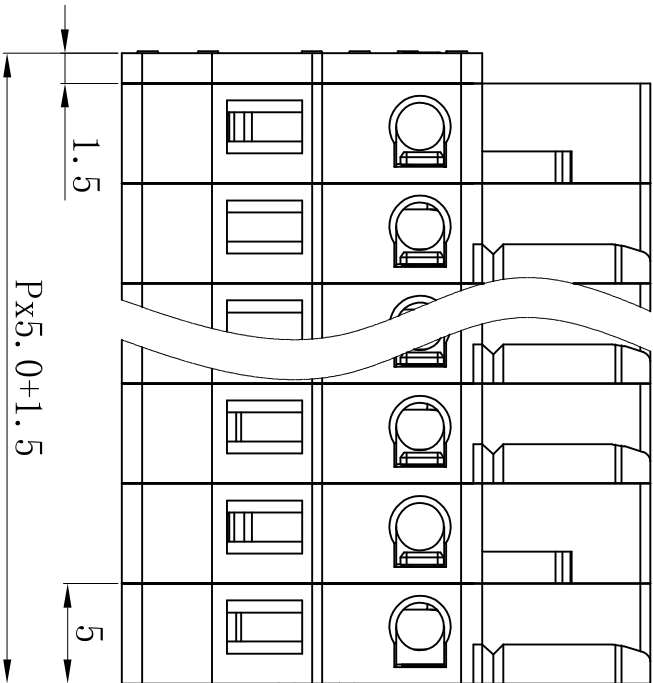
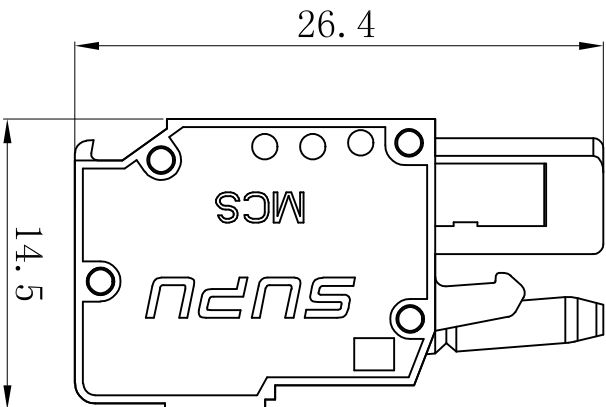




宁波速普电子有限公司  
NINGBO SUPU ELECTRONICS.CO.,LTD



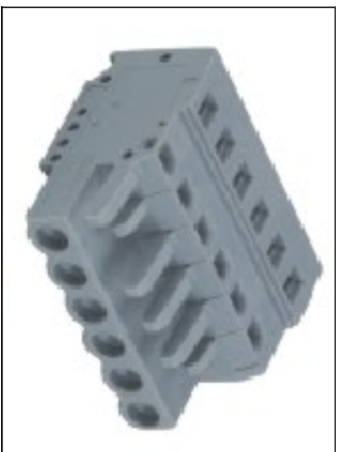
(P为通道数, P=Poles)



技术数据/ Technical Parameter	IEC	UL
额定电压/Rated voltage	V	250
额定电流/Rated current	A	16
额定截面/Cross-section	mm <sup>2</sup>	0.2-2.5
额定冲击电压/Rated impulse withstand voltage	KV	4
阻燃等级/Flammability rating	UL94 V-0	
绝缘材料/Insulating material	Nylon	
接触材料/Metal	铜合金/Copper	
镀层/Plated	镀锡/Tin plated	
插拔寿命/Plug life	20次/20 Times	

订货信息  
Order Info

订货号 PART NUMBER	NO. OF POS	颜色 COLOR
450102	2	gray
450103	3	
450104	4	
450105	5	
.....	.....	
450124	24	



**SUPU CONNECTION** 宁波速普电子有限公司  
NINGBO SUPU ELECTRONICS.CO.,LTD

DWG.	Zhang	2015. 6. 1	Rev	01	4501XX 系列孔型连接器 4501xx Series 2-24 Female connectors with spring-cage clamp
CHK.			Sheet	1 of 1	
APP.			Dimension	mm	