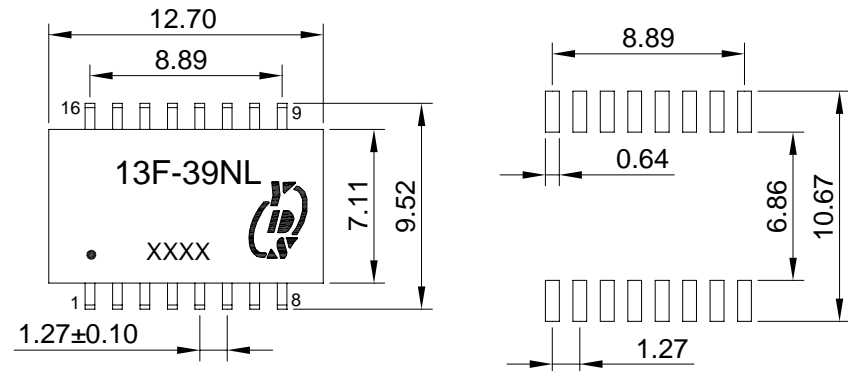
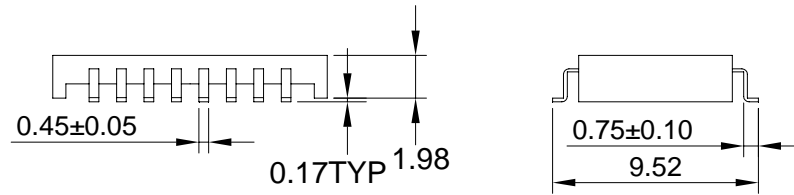


REV.	DESCRIPTION	DATE	DWN	AP'PD

一、Mechanical Dimensions

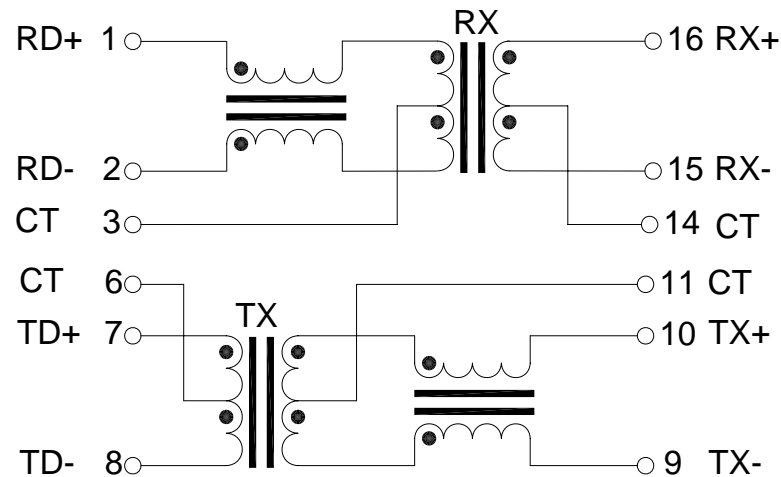


SUGGESTED PAD LAYOUT



UNIT:mm Unless otherwise specified,all tolerances are ± 0.25

二、Schematics



三、ELECTRICAL SPECIFICATIONS@25°C:

1. Turn Ratio($\pm 5\%$): 1CT:1CT
2. Inductance(100KHz/0.1V)(16-15,7-8): 350uH MIN.
3. Insertion Loss (dB MAX): -0.9dB(0.1-100MHz)
4. Return Loss (dB MIN): -16dB(30MHz), -12dB(60MHz),-11dB(80MHz)
5. HI-POT: 1500Vrms/0.5mA/60Sec or 1650Vrms/0.5mA/2Sec
6. Operating Temperature:0°C TO +70°C
7. RoHS compliance: YES

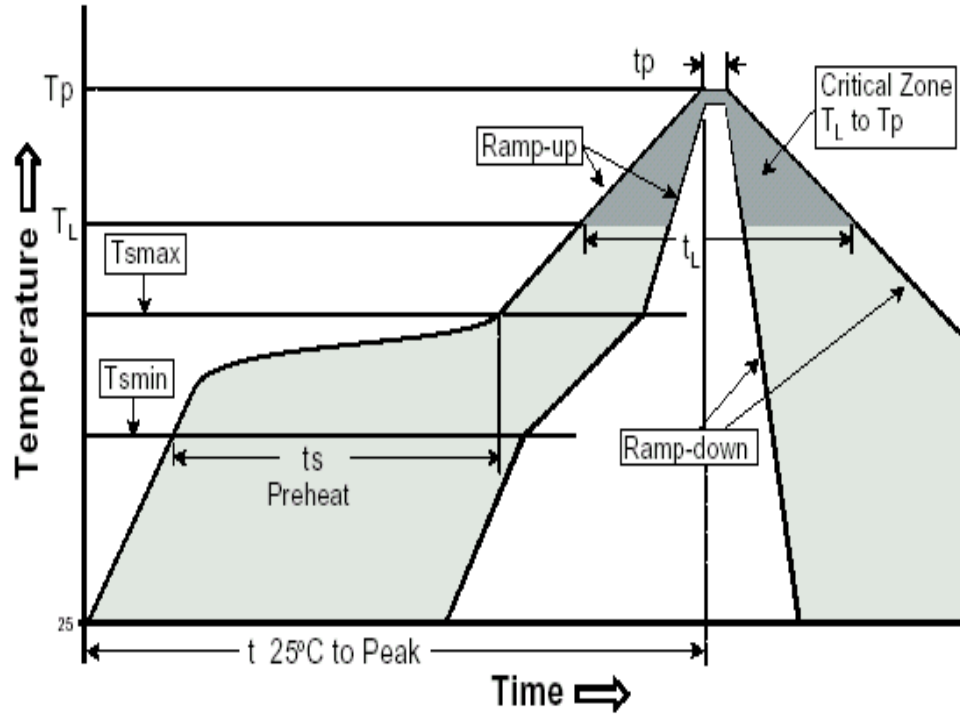
Ref:BOM-Q13

	元册科技股份有限公司 YUAN DEAN SCIENTIFIC CO., LTD.			
	TITLE	FILTER		
	P/N	13F-39NL	REV.	0
	PAGE NO	1-3	DATE	2010-11-9
	AP'PD	Li YueSheng	DWN	Hu XiaoLan

RoHS compliant type

REV.	DESCRIPTION	DATE	DWN	AP'PD

Our RoHS parts just can withstand IR Reflow peak temperature: 240degC+/-5degC as the following profile:



Profile Feature	Pb-Free Assembly
Average Ramp-Up Rate (T_{smax} to T_p)	3°C /second max.
Preheat -Temperature Min (T_{smin}) -Temperature Max (T_{smax}) -Time (t_{smin} to t_{smax})	150°C 200°C 60-180 seconds
Time maintained above: -Temperature (T_L) -Time (t_i)	217°C 60-150 seconds
Peak/Classification Temperature (T_p)	240±5°C
Time within 5°C of actual Peak Temperature (t_p)	20-40 seconds
Ramp-Down Rate	6°C/seconds max
Time 25°C to Peak Temperature	6 minutes max.



元册科技股份有限公司

YUAN DEAN SCIENTIFIC CO., LTD.

TITLE

FILTER

P/N

13F-39NL

REV.

0

PAGE NO

2-3

DATE

2010-11-9

AP'PD

Li YueSheng

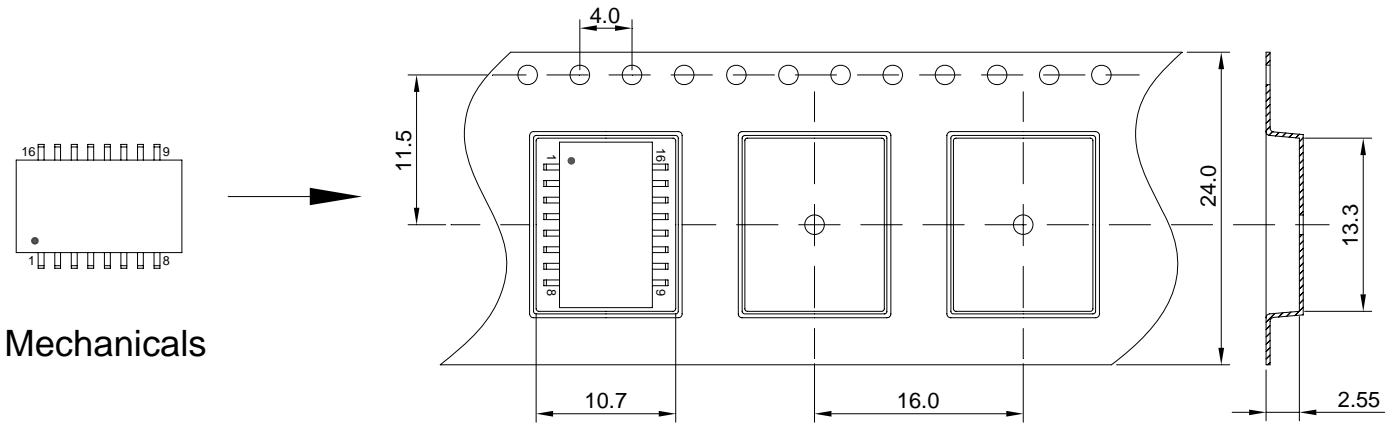
DWN

Hu XiaoLan

五、 Packing Information:

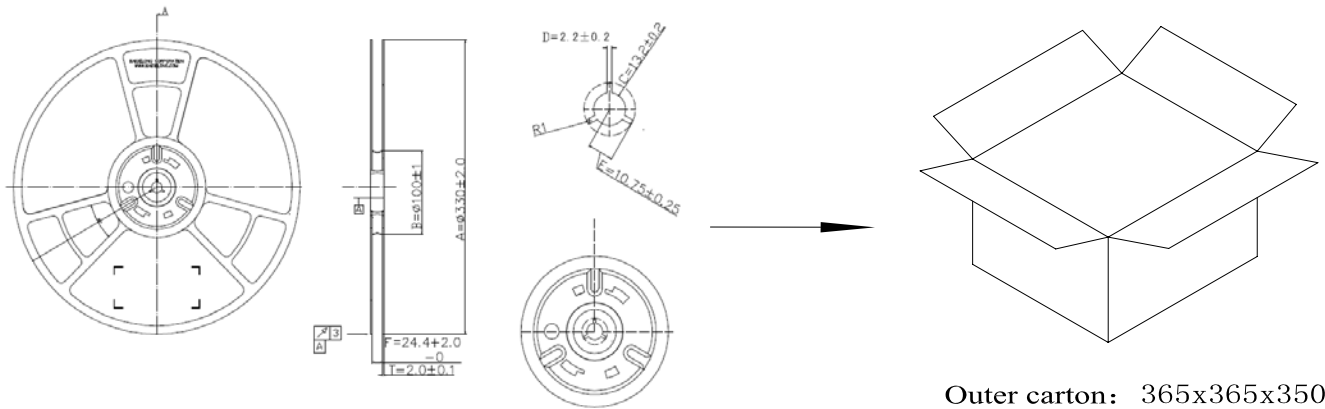
REV.	DESCRIPTION	DATE	DWN	AP'PD

- 1.Weight-----0.33 grams/pcs
- 2.Tape & Reel----- 2000 pcs
3. outer carton unit: 20000pcs/box
4. outer carton unit: 10 T&R/box
- 5.Weight: 13.3kg per carton



Mechanicals

Tape & Reel



Outer carton: 365x365x350mm



元册科技股份有限公司

YUAN DEAN SCIENTIFIC CO., LTD.

TITLE	FILTER		
P/N	13F-39NL	REV.	0
PAGE NO	3-3	DATE	2010-11-9
AP'PD	Li YueSheng	DWN	Hu XiaoLan