



10N80

Power MOSFET

10A, 800V N-CHANNEL POWER MOSFET

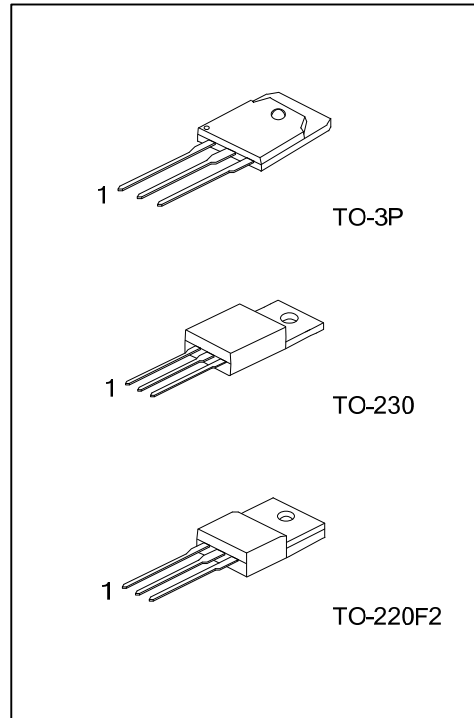
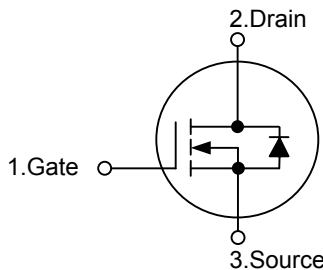
■ DESCRIPTION

The UTC **10N80** uses UTC's advanced proprietary, planar stripe, DMOS technology to provide excellent $R_{DS(ON)}$, low gate charge and operation with low gate voltages. This device is suitable for use as a load switch or in PWM applications.

■ FEATURES

- * $R_{DS(ON)} < 1.1\Omega @ V_{GS} = 10V$
- * Ultra Low Gate Charge (Typical 45nC)
- * Low Reverse Transfer Capacitance ($C_{RSS} = \text{Typical } 15pF$)
- * Fast Switching Capability
- * Avalanche Energy Specified
- * Improved dv/dt Capability, High Ruggedness

■ SYMBOL

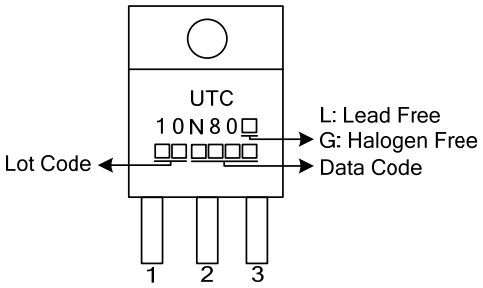


■ ORDERING INFORMATION

Ordering Number		Package	Pin Assignment			Packing
Lead Free	Halogen Free		1	2	3	
10N80L-T3P-T	10N80G-T3P-T	TO-3P	G	D	S	Tube
10N80L-TC3-T	10N80G-TC3-T	TO-230	G	D	S	Tube
10N80L-TF2-T	10N80G-TF2-T	TO-220F2	G	D	S	Tube

<p>10N80L-T3P-T</p>	<p>(1) T: Tube (2) T3P: TO-3P, TC3: TO-230, TF2: TO-220F2 (3) L: Lead Free, G: Halogen Free</p>
---------------------	---

■ MARKING INFORMATION

PACKAGE	MARKING
TO-3P/TO-230/TO-220F2	 <p>UTC 10N80</p> <p>Lot Code</p> <p>L: Lead Free G: Halogen Free Data Code</p> <p>1 2 3</p>

■ ABSOLUTE MAXIMUM RATINGS ($T_C = 25^\circ\text{C}$, unless otherwise specified)

PARAMETER		SYMBOL	RATINGS	UNIT
Drain-Source Voltage		V_{DSS}	800	V
Gate-Source Voltage		V_{GSS}	± 30	V
Continuous Drain Current ($T_C = 25^\circ\text{C}$)		I_D	10	A
Pulsed Drain Current (Note 2)		I_{DM}	40	A
Avalanche Current (Note 2)		I_{AR}	10	A
Avalanche Energy	Single Pulsed (Note 3)	E_{AS}	920	mJ
	Repetitive (Note 2)	E_{AR}	24	mJ
Peak Diode Recovery dv/dt (Note 4)		dv/dt	4.0	V/ns
Power Dissipation	TO-3P	P_D	240	W
	TO-230		156	
	TO-220F2		66	
Linear Derating Factor above $T_C = 25^\circ\text{C}$	TO-3P		1.92	$W/^\circ\text{C}$
	TO-230		1.25	
	TO-220F2		0.528	
Junction Temperature		T_J	150	$^\circ\text{C}$
Storage Temperature		T_{STG}	-55 ~ +150	$^\circ\text{C}$

Notes: 1. Absolute maximum ratings are those values beyond which the device could be permanently damaged.

Absolute maximum ratings are stress ratings only and functional device operation is not implied.

2. Repetitive Rating: Pulse width limited by maximum junction temperature.

3. $L=17.3\text{mH}$, $I_{AS}=10\text{A}$, $V_{DD}=50\text{V}$, $R_G=25\Omega$, Starting $T_J=25^\circ\text{C}$

4. $I_{SD} \leq 10\text{A}$, $di/dt \leq 200\text{A}/\mu\text{s}$, $V_{DD} \leq BV_{DSS}$, Starting $T_J=25^\circ\text{C}$.

■ THERMAL DATA

PARAMETER		SYMBOL	RATINGS	UNIT
Junction to Ambient	TO-3P	θ_{JA}	40	$^\circ\text{C}/\text{W}$
	TO-220F2/TO-230		62.5	
Junction to Case	TO-3P	θ_{JC}	0.52	$^\circ\text{C}/\text{W}$
	TO-230		0.8	
	TO-220F2		1.89	

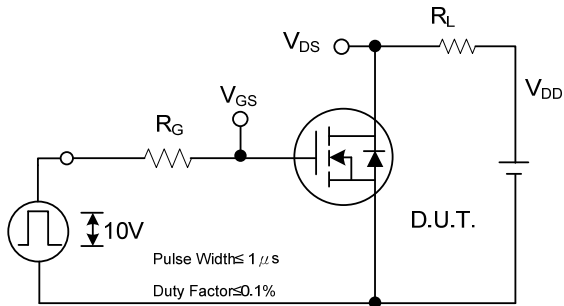
■ ELECTRICAL CHARACTERISTICS ($T_J=25^\circ\text{C}$, unless otherwise specified)

PARAMETER	SYMBOL	TEST CONDITIONS	MIN	TYP	MAX	UNIT
OFF CHARACTERISTICS						
Drain-Source Breakdown Voltage	BV_{DSS}	$V_{GS}=0\text{ V}, I_D=250\ \mu\text{A}$	800			V
Drain-Source Leakage Current	I_{DSS}	$V_{DS}=800\text{V}, V_{GS}=0\text{ V}$			10	μA
		$V_{DS}=640\text{V}, T_C=125^\circ\text{C}$			100	
Gate-Body Leakage Current	I_{GSS}	$V_{DS}=0\text{ V}, V_{GS}=\pm 30\text{ V}$			± 100	nA
Breakdown Voltage Temperature Coefficient	$\Delta BV_{DSS}/\Delta T_J$	$I_D=250\ \mu\text{A}$, Referenced to 25°C		0.98		$\text{V}/^\circ\text{C}$
ON CHARACTERISTICS						
Gate Threshold Voltage	$V_{GS(TH)}$	$V_{DS}=V_{GS}, I_D=250\ \mu\text{A}$	3.0		5.0	V
Static Drain-Source On-Resistance	$R_{DS(ON)}$	$V_{GS}=10\text{V}, I_D=5.0\text{A}$		0.9	1.1	Ω
DYNAMIC PARAMETERS						
Input Capacitance	C_{ISS}	$V_{DS}=25\text{V}, V_{GS}=0\text{V},$ $f=1\text{MHz}$		2150	2800	pF
Output Capacitance	C_{OSS}			180	230	
Reverse Transfer Capacitance	C_{RSS}			15	20	
SWITCHING PARAMETERS						
Turn-ON Delay Time	$t_{D(ON)}$	$V_{DD}=400\text{V}, I_D=10.0\text{A},$ $R_G=25\ \Omega$ (Note 1,2)		50	110	ns
Turn-ON Rise Time	t_R			130	270	
Turn-OFF Delay Time	$t_{D(OFF)}$			90	190	
Turn-OFF Fall-Time	t_F			80	170	
Total Gate Charge	Q_G	$V_{DS}=640\text{V}, V_{GS}=10\text{V},$ $I_D=10.0\text{A}$ (Note 1,2)		45	58	nC
Gate Source Charge	Q_{GS}			13.5		
Gate Drain Charge	Q_{GD}			17		
SOURCE- DRAIN DIODE RATINGS AND CHARACTERISTICS						
Drain-Source Diode Forward Voltage	V_{SD}	$I_S=10.0\text{ A}, V_{GS}=0\text{V}$			1.4	V
Maximum Continuous Drain-Source Diode Forward Current	I_S				10.0	A
Maximum Pulsed Drain-Source Diode Forward Current	I_{SM}				40.0	
Reverse Recovery Time	t_{rr}	$V_{GS}=0\text{V}, di_F/dt=100\text{ A}/\mu\text{s},$		730		ns
Reverse Recovery Charge	Q_{RR}	$I_S=10.0\text{A}$ (Note 1)		10.9		nC

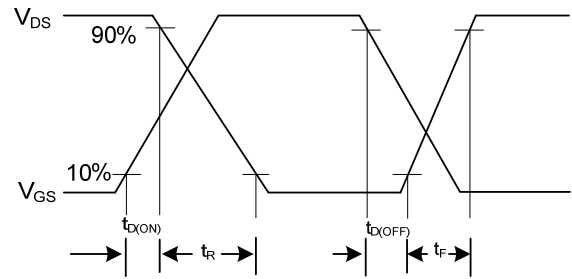
Notes: 1. Pulse Test: Pulse Width $\leq 300\ \mu\text{s}$, Duty Cycle $\leq 2\%$.

2. Independent of operating temperature.

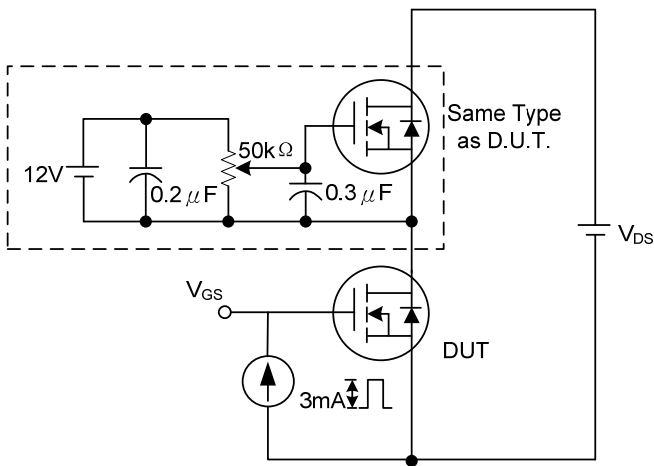
■ TEST CIRCUIT



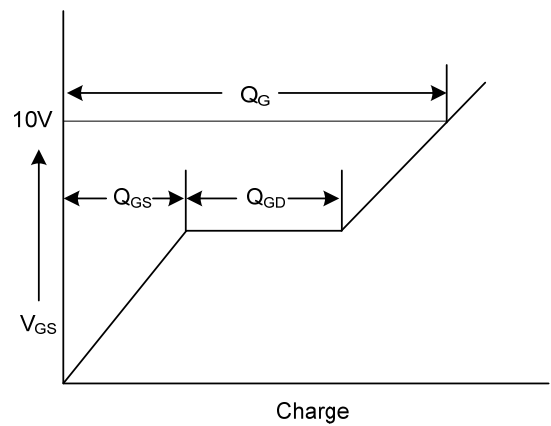
Switching Test Circuit



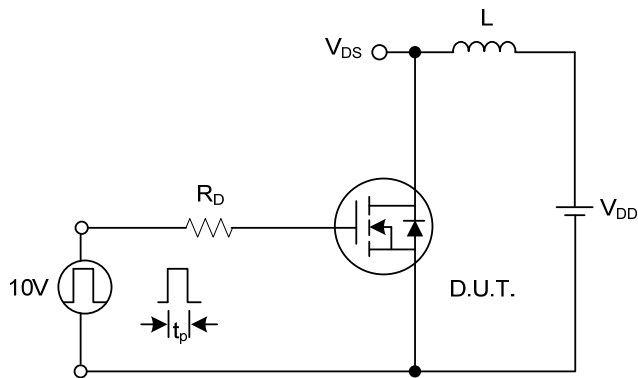
Switching Waveforms



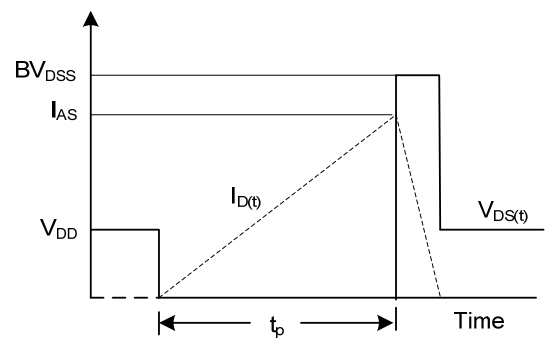
Gate Charge Test Circuit



Gate Charge Waveform

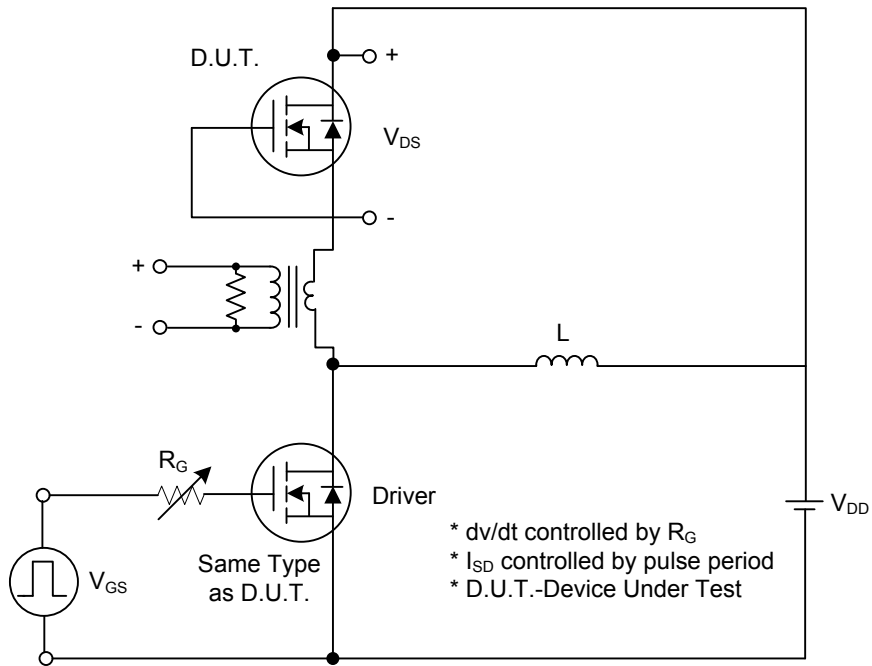


Unclamped Inductive Switching Test Circuit

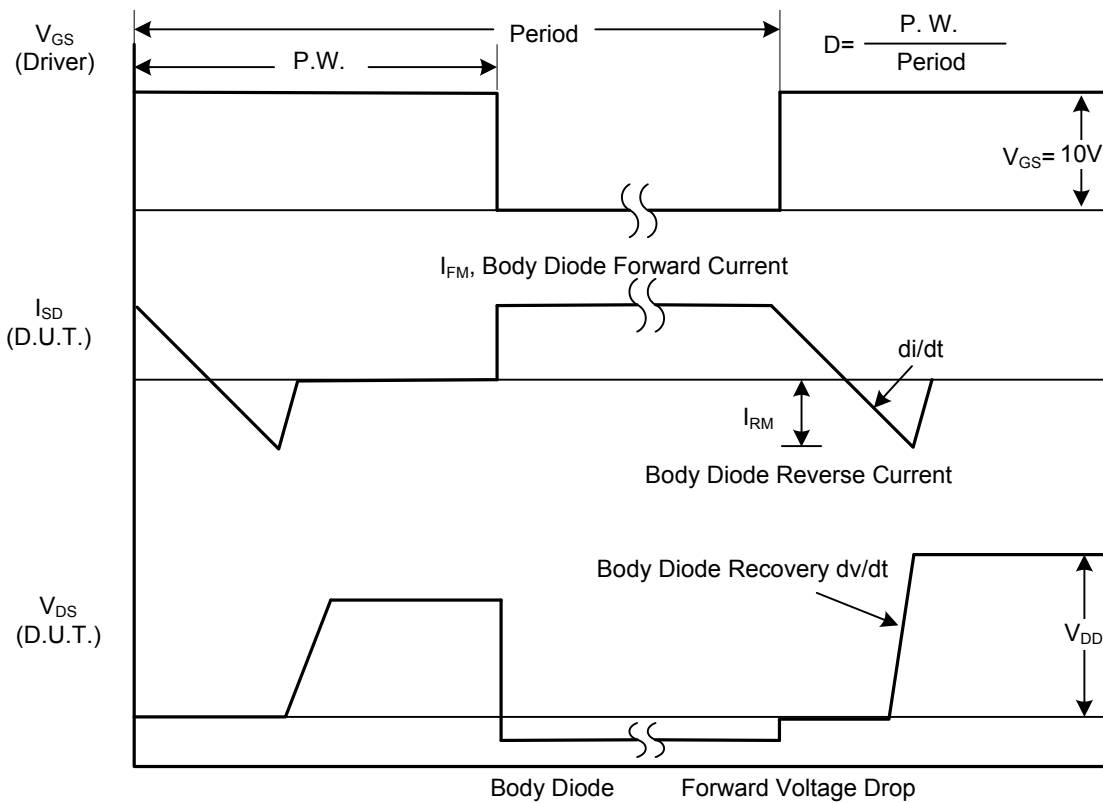


Unclamped Inductive Switching Waveforms

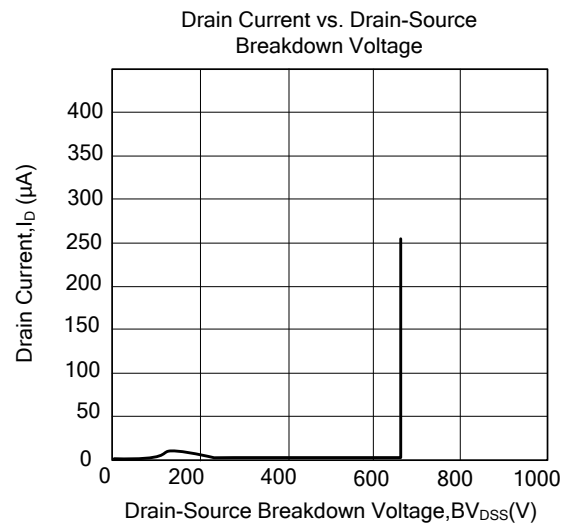
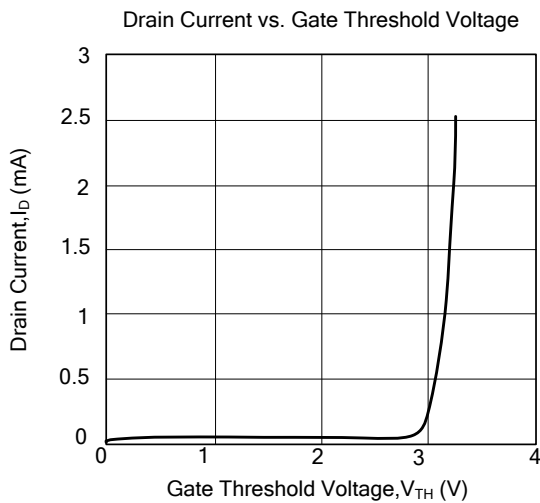
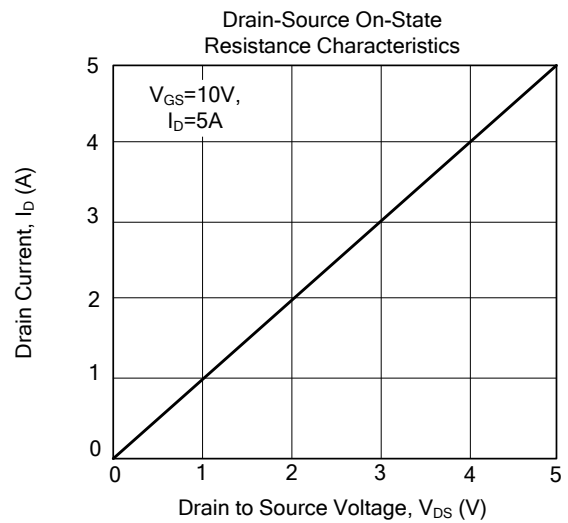
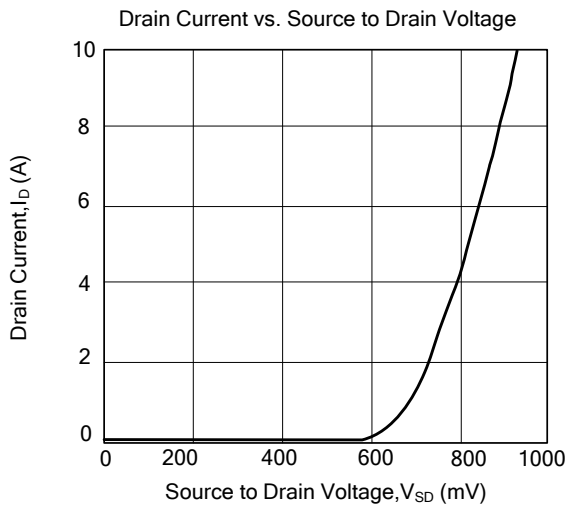
■ TEST CIRCUIT(Cont.)



Peak Diode Recovery dv/dt Test Circuit



TYPICAL CHARACTERISTICS



UTC assumes no responsibility for equipment failures that result from using products at values that exceed, even momentarily, rated values (such as maximum ratings, operating condition ranges, or other parameters) listed in products specifications of any and all UTC products described or contained herein. UTC products are not designed for use in life support appliances, devices or systems where malfunction of these products can be reasonably expected to result in personal injury. Reproduction in whole or in part is prohibited without the prior written consent of the copyright owner. The information presented in this document does not form part of any quotation or contract, is believed to be accurate and reliable and may be changed without notice.