

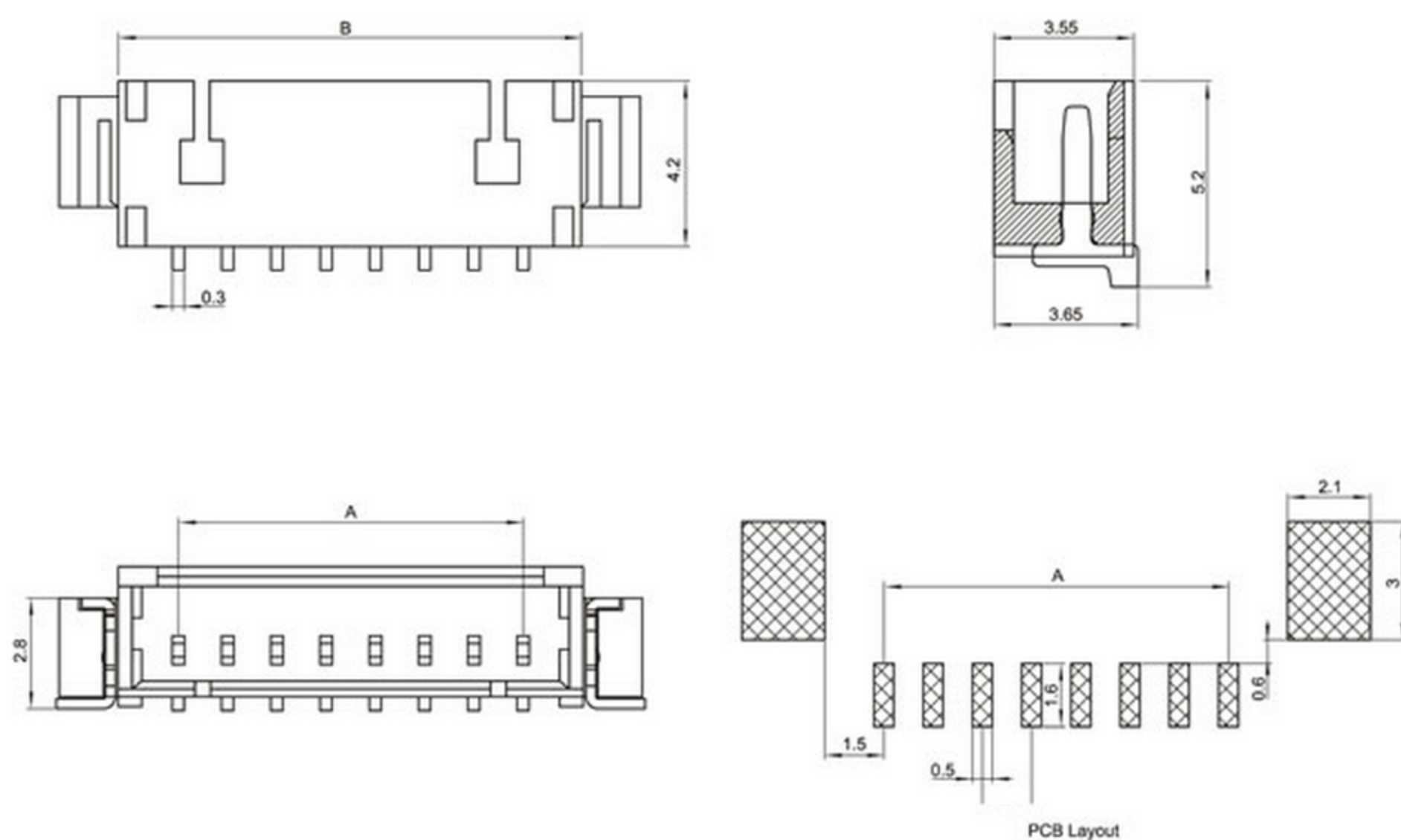
SPECIFICATIONS

Unit:mm

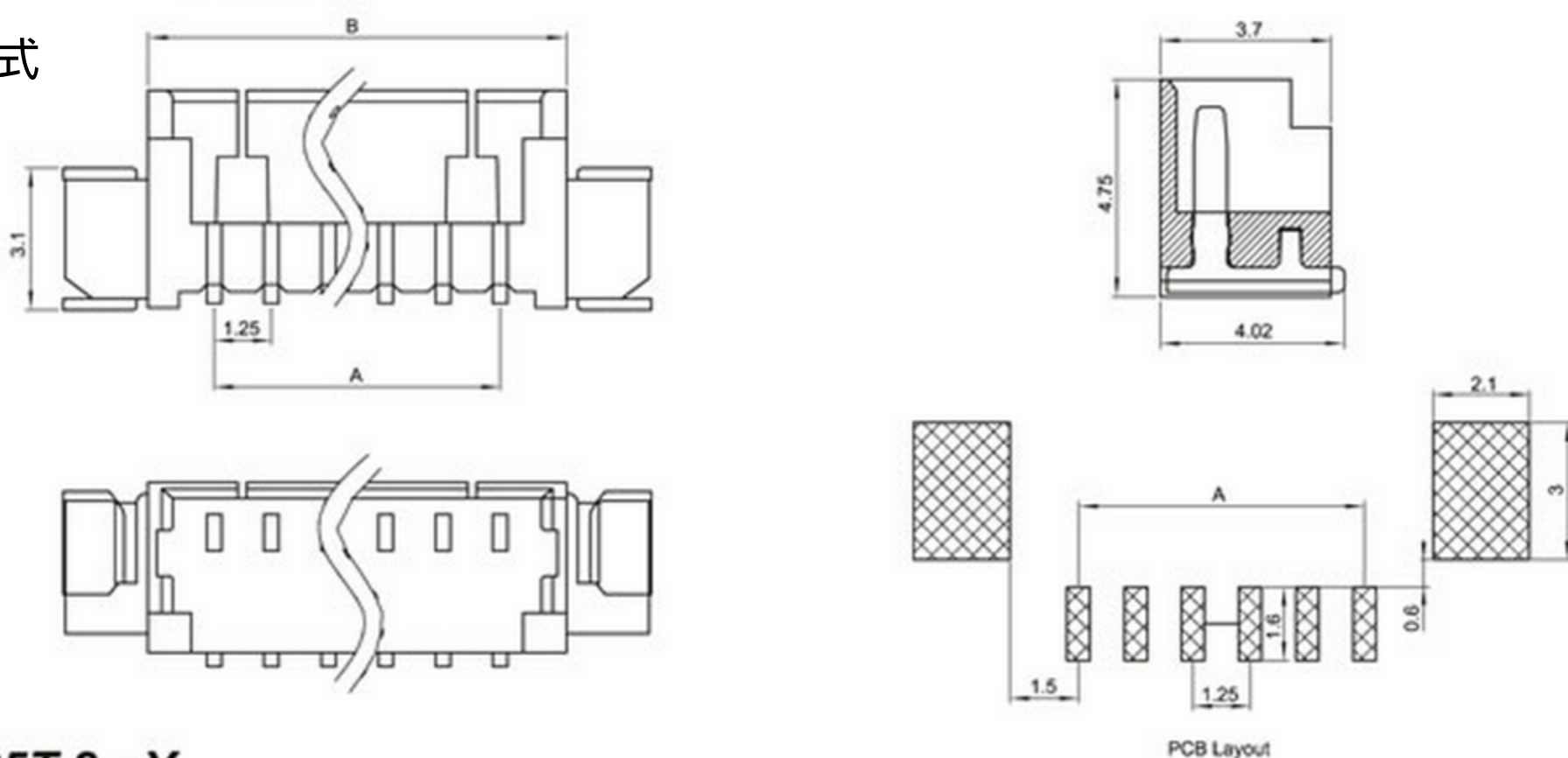
- ◇ Poles: 2~16
- ◇ Applicable wire: AWG#28-#22
- ◇ Voltage rating: 125V DC/AC
- ◇ Current rating: 1.0A
- ◇ Withstand voltage: 500V AC
- ◇ Working Temperature: -25°C~+85°C
- ◇ Insulation resistance: ≥ 1000MΩ
- ◇ Contact resistance: ≤ 0.03Ω
- ◇ Applicable PC board thickness: 0.6~1.2mm

UL:Recognized No.E309635
RoHS-specification and
Halogen free products

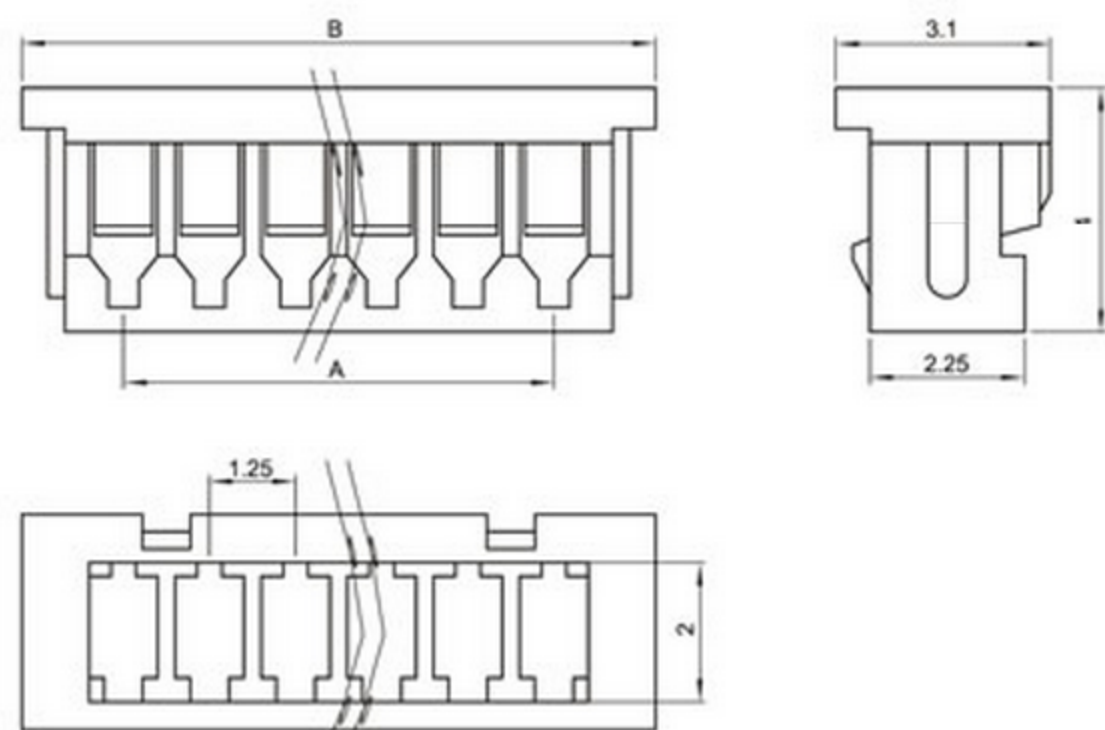
卧式



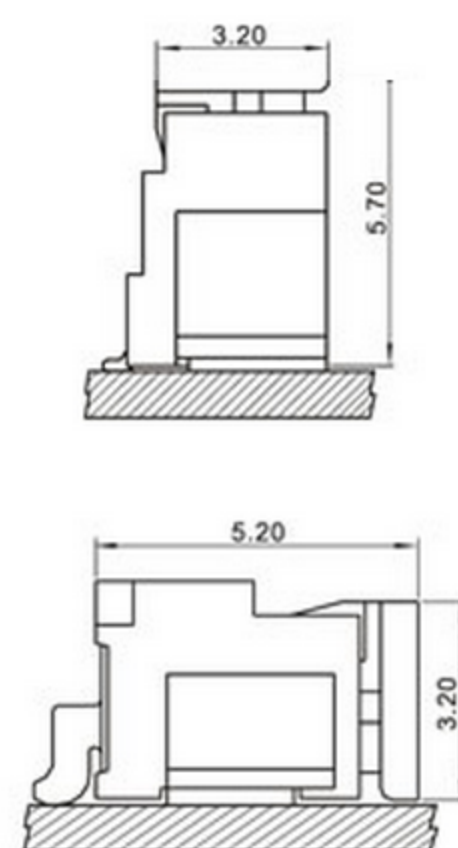
立式



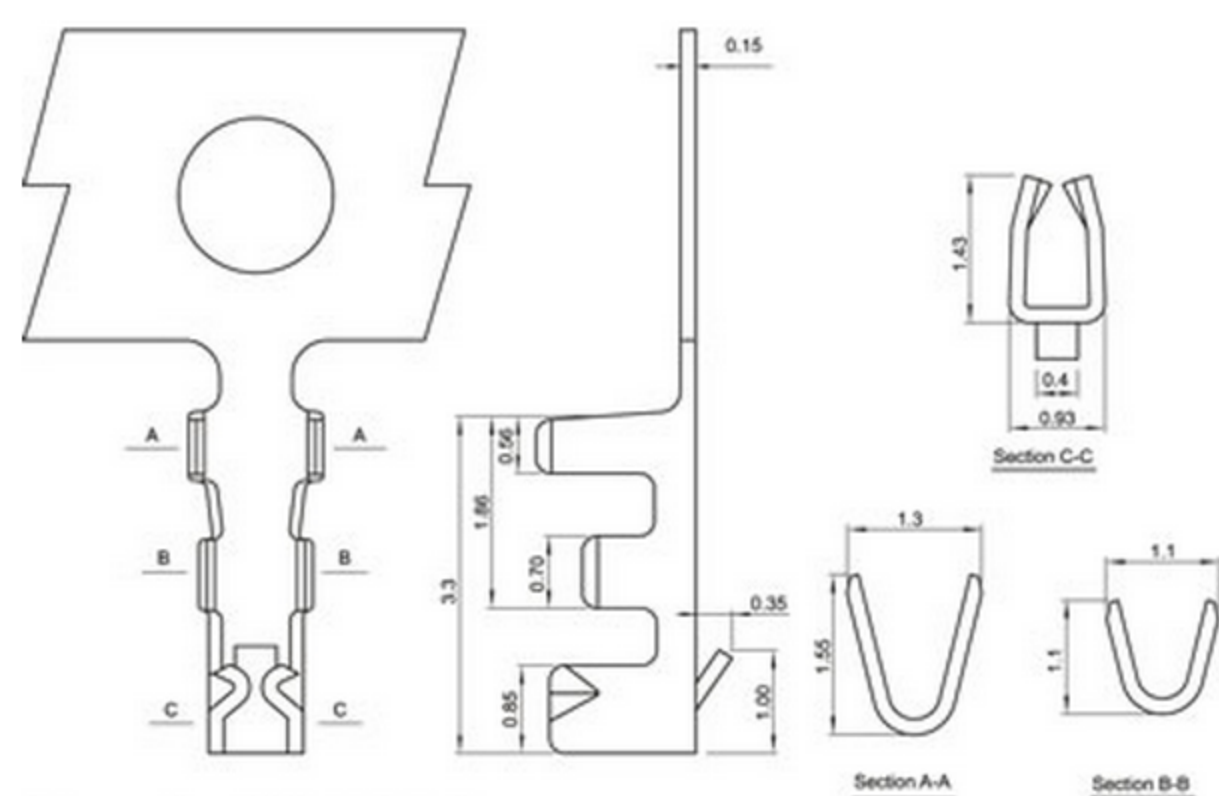
1.25T-2-nY



Mounting Measurement



1.25T-1-PT 端子



Terminal(1.25T-1)

Type	Applicable wires		O.D of wire ins mm	Material	Finish
	mm ²	AWG#			
1.25T-1	0.8~0.3	32~28	0.8mm(max)	Phos.bronze	Tin-plated

Poles	Type	Size(mm)		Poles	Type	Size(mm)	
		A	B			A	B
2	1.25T-2-2A	1.25	4.25	2	1.25T-2-2Y	1.25	4.2
3	1.25T-2-3A	2.50	5.50	3	1.25T-2-3Y	2.50	5.45
4	1.25T-2-4A	3.75	6.75	4	1.25T-2-4Y	3.75	6.7
5	1.25T-2-5A	5.00	8.00	5	1.25T-2-5Y	5.00	7.95
6	1.25T-2-6A	6.25	9.25	6	1.25T-2-6Y	6.25	9.2
7	1.25T-2-7A	7.50	10.50	7	1.25T-2-7Y	7.50	10.45
8	1.25T-2-8A	8.75	11.75	8	1.25T-2-8Y	8.75	11.7
9	1.25T-2-9A	10.00	13.00	9	1.25T-2-9Y	10.00	12.95
10	1.25T-2-10A	11.25	14.25	10	1.25T-1-10Y	11.25	14.2
11	1.25T-2-11A	12.50	15.50	11	1.25T-1-11Y	12.50	15.45
12	1.25T-2-12A	13.75	16.75	12	1.25T-1-12Y	13.75	16.7
13	1.25T-2-13A	15.00	18.00	13	1.25T-1-13Y	15.00	17.95
14	1.25T-2-14A	16.25	19.25	14	1.25T-1-14Y	16.25	19.2
15	1.25T-2-15A	17.50	20.50	15	1.25T-1-15Y	17.50	20.45
16	1.25T-2-16A	18.75	21.75	16	1.25T-1-16Y	18.75	21.7