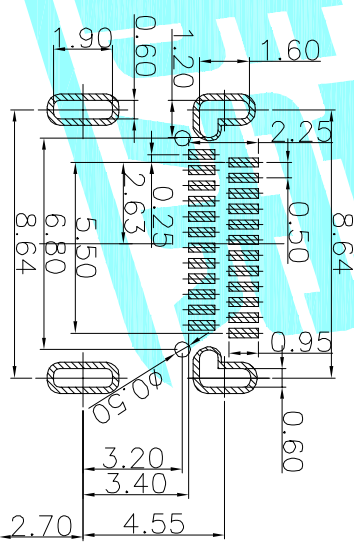
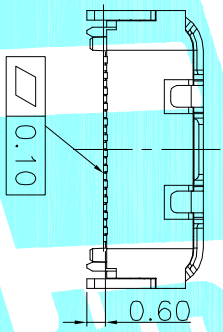
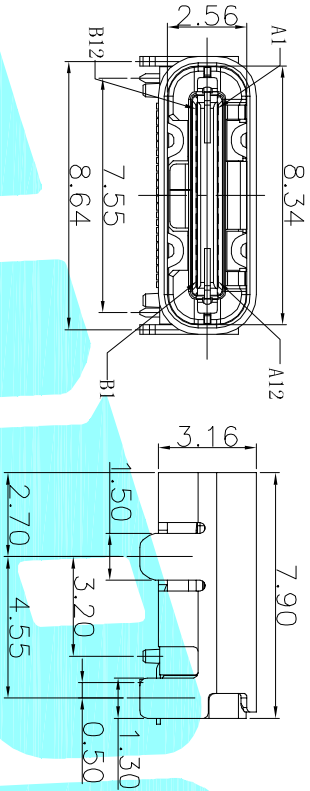
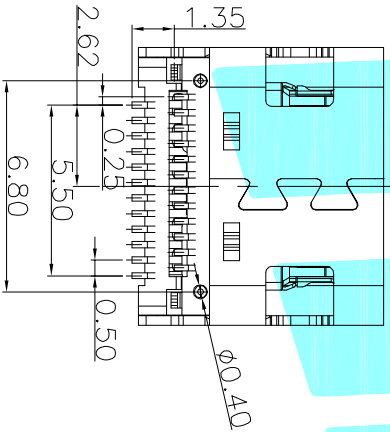


- NOTES:
SPECIFICATION:
- CURRENT RATING: 3A MAX
 - VOLTAGE: 100 VAC
 - TEMPERATURE RANGE: -30 °C ~ 85 °C
 - CONTACT RESISTANCE: 40 MILLIONHM MAX
 - INSULATION RESISTANCE: 100 MEGOHMS MIN.
 - INSERTION FORCE : 5N~20N
 - UNMATING FORCE: 8N~20N
 - DURABILITY: 10,000 CYCLES



RECOMMENDED P.C.B. LAYOUT
TOLERANCE UNSPECIFIED ±0.05mm



A1	GND	B12	GND
A2	SSTXP1	B11	SSRXP1
A3	SSTXN1	B10	SSRXN1
A4	VBUS	B9	VBUS
A5	CC1	B8	SBU2
A6	DP1	B7	DN2
A7	DN1	B6	DP2
A8	SBU1	B5	CC2
A9	VBUS	B4	VBUS
A10	SSRXN2	B3	SSTXN2
A11	SSRXP2	B2	SSTXP2
A12	GND	B1	GND

③	Shell	—	1	STAINLESS STEEL	N/SN Plated	
②	Contact	—	—	COOPER ALLOY	Au/Ni Plated	
①	Housing	—	1	LCP	Black	
ITEM	PART NAME	TER'NO.	QTY.	MATERIAL	FINISHING	REMARK

APPROVALS		DATE	
DRAWN	JKUNLU	2014.5.29	
CHECKED		TITLE:	USB CONNECTOR
APPROVALS		PART NO.	TYPE-C-31-M-05

ECN NO.	REV.	DATE.	DESCRIPTION.	CHANGE.	CHECK.	APPRO.	TOLERANCES ARE	ANGLE	UNIT:	SCALE:	PROJ:	SHEET
	A		NEW				30~12.5 ±	±0.30	mm	1:1	①	1 OF 1
							10~30 ±	±0.25				
							5~10 ±	±0.20				
							~5 ±	±0.15				



ELECTRONICS CO.,LTD