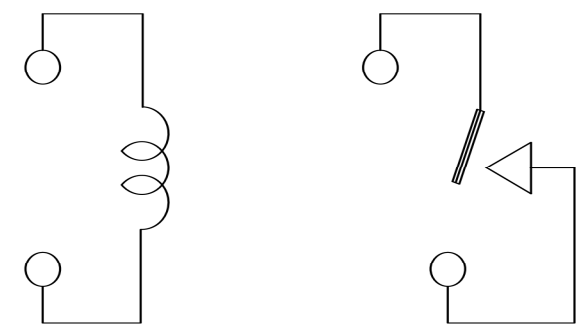
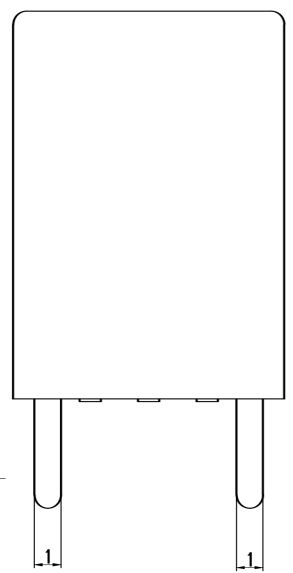
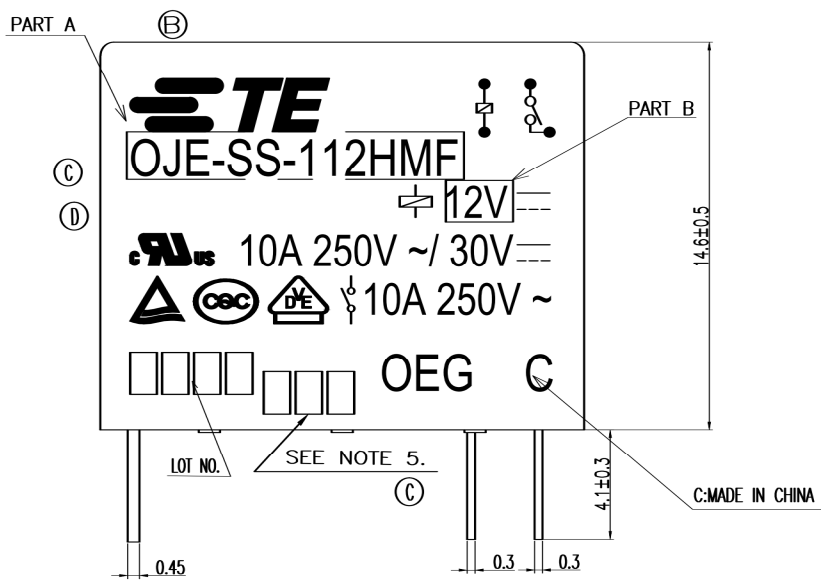
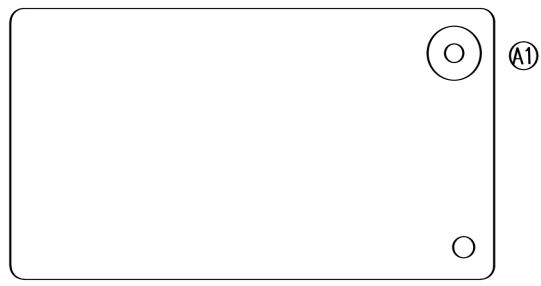


THIS DRAWING IS UNPUBLISHED. RELEASED FOR PUBLICATION

© COPYRIGHT By - TE CONNECTIVITY ALL RIGHTS RESERVED.

LOC	DIST	REVISIONS			
P	LTR	DESCRIPTION	DATE	DWN	APVD
HB	-				
	D	REMOVED CSA&OPTIMIZATION SSA RATING&USING WELDING CONTACT ECO-14-003061	24Mar2014	HYS	B.F



CONNECTION FIGURE

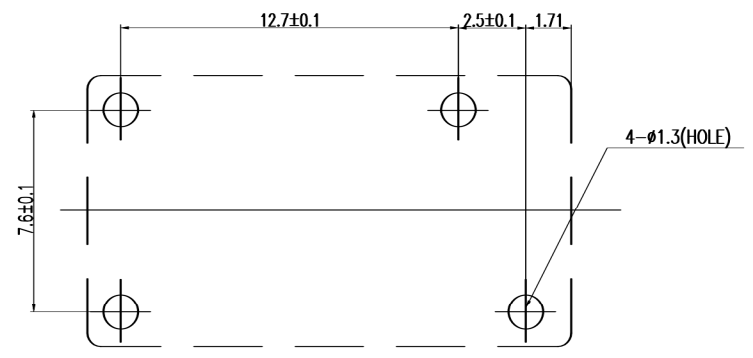


FIGURE FOR PRINTED CIRCUIT BOARD PROCESSING (BOTTOM VIEW)

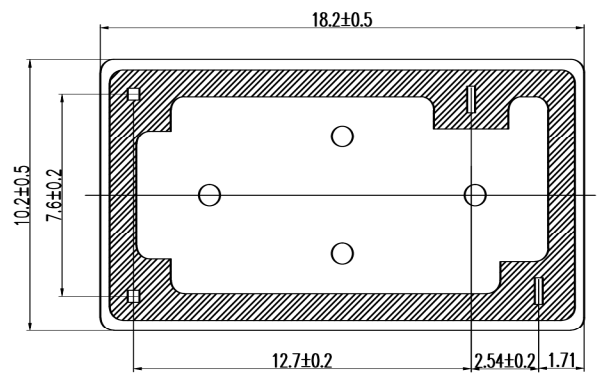


Diagram dimension	Tolerance
0.99mm max.	±0.1mm
1 - 2.99mm	±0.2mm
3mm min.	±0.3mm

THIS DRAWING IS A CONTROLLED DOCUMENT.

DIMENSIONS:	TOLERANCES UNLESS OTHERWISE SPECIFIED:
mm	
	± .
	± .
	± .
	± .
	± .
ANGLES	± .
FINISH	

MATERIAL

DWN	FU,BO
CHK	XIAONING.ZHANG
APVD	CH.HSU
PRODUCT SPEC	
APPLICATION SPEC	
WEIGHT	

TE Connectivity		NAME	
		OJE-HMF TYPE RELAY CUSTOMER DRAWING	
SIZE	CAGE CODE	DRAWING NO	RESTRICTED TO
A3	00779	1721923	-

CUSTOMER DRAWING	SCALE	SHEET	REV
	5:1	1 OF 2	D

THIS DRAWING IS UNPUBLISHED.

RELEASED FOR PUBLICATION

© COPYRIGHT - By - TE CONNECTIVITY

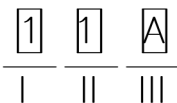
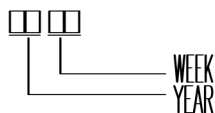
ALL RIGHTS RESERVED.

LOC	DIST	REVISIONS					
HB	-	P	LTR	DESCRIPTION	DATE	DWN	APVD
		-		SEE SHEET 1	-	-	-

①	1721923-3	OJE-SS-148HMF	48V	OJE-SS-148HMF	f
	6-1419128-6	OJE-SS-124HMF	24V	OJE-SS-124HMF	e
	4-1419128-4	OJE-SS-112HMF	12V	OJE-SS-112HMF	d
	3-1419128-6	OJE-SS-109HMF	9V	OJE-SS-109HMF	c
	1721923-2	OJE-SS-106HMF	6V	OJE-SS-106HMF	b
	1721923-1	OJE-SS-105HMF	5V	OJE-SS-105HMF	a
	TE PART NO	TE TYPE NAME	PART B	PART A	ITEM

② NOTES:

1.LOT NO. SYSTEM AS FOLLOWING: ⑤ 5.ADD LOT NO. SYSTEM AS FOLLOWING;



I, DIGITS FOR DAY OF THE WEEK
 1...MONDAY IN THIS WEEK;
 2...TUESDAY IN THIS WEEK;

 7...SUNDAY IN THIS WEEK
 II, DIGITS FOR SHIFT OF THE DAY
 1...DAY SHIFT IN THIS DAY;
 2...NIGHT SHIFT IN THIS DAY;
 III, ONE CHARACTER DISTINGUISH THE LINE
 IDENTITY,
 SUCH AS: A,B.....Z

③ 2.TERMINAL DIMENSION IS BEFORE SOLDER DIP;

③ 3.FOR THE TIN-PLATING OF THE PINS:
+0.1mm FOR WIDTH,THICKENSS AND DIAMETER.
+0.5mm FOR LENGTH.

④ ④ 4.MARKING FROM INK TO LASER AND USING WELDING CONTACT

		EPOXY RESIN	SEAL (BASE & BOBBIN)	15
		MM79	MAGNETIC WIRE	14
94V-0		P.B.T	CASE	13
94V-0		P.B.T	BASE	12
94VHB		NYRON	BOBBIN	11
	SOLDER DIP	C.P WIRE	COIL TERMINAL	10
94V-0		P.P.S	CARD	9
		Ag ALLOY	MOVABLE CONTACT	8
		Ag	NO.CONTACT	7
		STEEL	HINGE SPRING	6
	SOLDER DIP	CU ALLOY	NO.TERMINAL	5
	SOLDER DIP	CU ALLOY	MOVABLE SPRING	4
	NIP	STEEL	CORE	3
	NIP	STEEL	ARMATURE	2
	NIP	STEEL	YOKE	1
INCOMBUSTIBILITY	TREATMENT	MATERIAL	DESCRIPTION	ITEM

THIS DRAWING IS A CONTROLLED DOCUMENT.		DWN	FU,BO	TE Connectivity OJE-HMF TYPE RELAY CUSTOMER DRAWING	
DIMENSIONS: mm		CHK	XIAONING.ZHANG		
TOLERANCES UNLESS OTHERWISE SPECIFIED:		APVD	CH.HSU		
		PRODUCT SPEC	-		
MATERIAL		FINISH	-	APPLICATION SPEC	-
		WEIGHT	-	SIZE	A3
		CUSTOMER DRAWING		CAGE CODE	00779
				DRAWING NO	1721923
				RESTRICTED TO	-
				SCALE	5:1
				SHEET	2 OF 2
				REV	D