

**HY601742E**

**Electrical Specification @25°C**

RoHS Compliant (PB Free)

Operating Temperature Range: -40°C ~ +85°C

Isolation: 1500Vrms 0.5mA 60sec (Primary to Secondary)

OCL: 350uH Minimum @100KHz 100mV with 8mADC

Insertion Loss: -1.4dB Maximum @1MHz ~ 100MHz

Return Loss: -16dB Minimum @1MHz ~ 30MHz

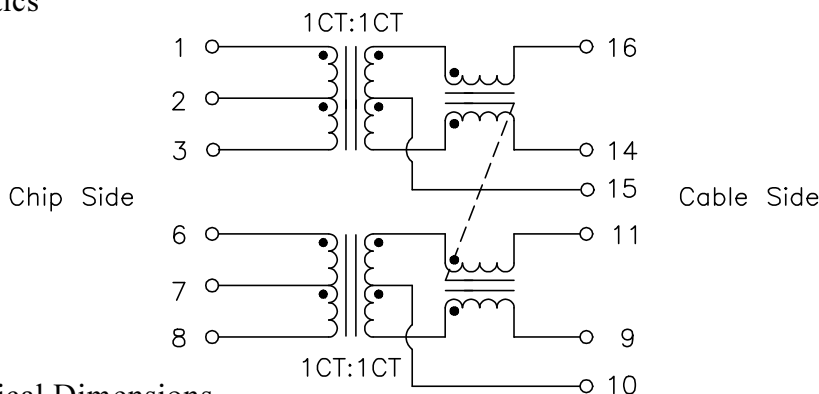
-14dB Minimum @40MHz / -13dB Minimum @50MHz

-12dB Minimum @60MHz ~ 80MHz

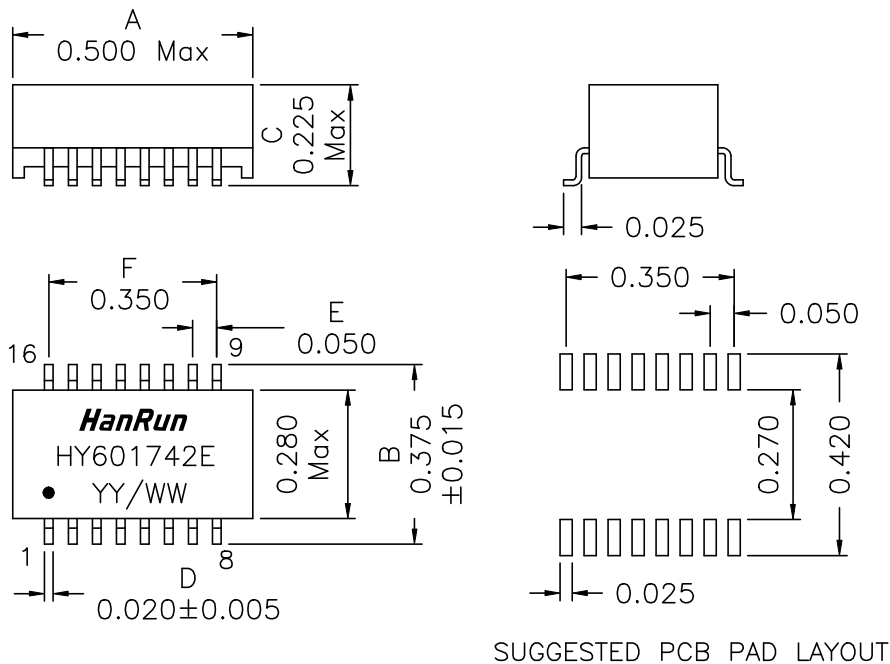
Crosstalk: -40dB Minimum @30MHz / -35dB Minimum @60MHz / -30dB Minimum @100MHz

Current Capability: 350mADC

**Schematics**



**Mechanical Dimensions**



SUGGESTED PCB PAD LAYOUT

Dimensions in inches

Unless otherwise specified, Tol.: .xxx ±0.010

REV.: A/1