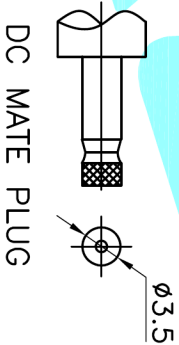
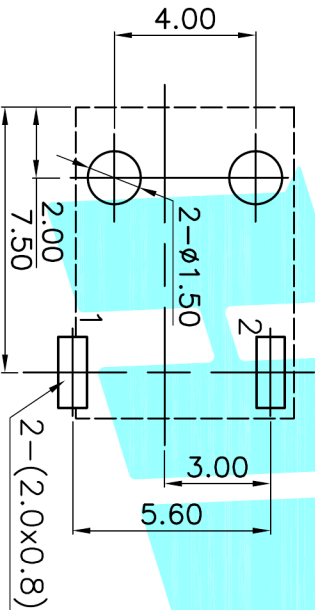


Model No.	1	2
PIN	$\phi 1.0$	$\phi 1.3$

P.C.B LAYOUT(copper-sided view)



Rating:0.5A 30V DC
 Contact Resistance:100 m Ω Max.
 Operating temperature:-20 $^{\circ}$ C~70 $^{\circ}$ C
 Operating force:3-20N
 Operating Life:5,000cycles

② Terminal	2	Phosphor bronze	Au Plating			
① Housing	1	Nylon	Black			
ITEM	PART NAME	TER.NO.	QTY.	MATERIAL	FINISHING	REMARK
APPROVALS		DATE				
DRAWN	J.X.Zhang	2013/11/11	ELECTRONICS CO.,LTD			
CHECKED			TITLE: PHONE JACKES			
APPROVALS			PART NO.	DC-047B		
TOLERANCES ARE		30 \pm BLT	± 0.30	ANGLE	UNIT: mm	SCALE: 1:1
		10 \pm 30	± 0.20			
		5 \sim 10	± 0.15	$\pm 2^{\circ}$	DRAWING NO.	PROJ.
		~ 5	± 0.10			SHEET 1 OF 1
ECN NO.	REV.	DATE.	DESCRIPTION.	CHANGE.	CHECK.	APPRO.
	A		NEW			

